

SKM Fan Coil Series

Chilled Water

Standard and District Cooling
(AC & EC Motor)



Range 200 cfm to 2000 cfm
(94 l/s to 944 l/s)



Contents

Introduction.....	2
Legend.....	2
FCU models nomenclature.....	3
General Features.....	4
Component Features.....	4
Application Flexibility.....	5
Options.....	6
Physical Data & Electrical Data.....	7
Standard Models Nominal Capacity Rating.....	9
Standard Models Capacity Ratings.....	11
District Cooling Models Nominal Capacity Rating.....	17
District Cooling Models Capacity Rating.....	18
Acoustics.....	22
Control System Description.....	24
Valves Packages.....	27
Dimensional Data.....	28
Guide Specifications.....	30

Legend

The following legends are used throughout this manual:

AFRAir Flow Rate	LAWB ...Leaving Air Wet Bulb
BEPBaked Enamel Paint	lbs Pounds weight (British units)
cfm Cubic feet per minute	l/s Liters per second
dB Decibels	MBh1000 Btuh
EADB Entering Air Dry Bulb	ODOutside Diameter
EAWB Entering Air Wet Bulb	PhPhase
ETEvaporating Temperature	PaPascals
EWT Entering Water Temperature	SC Sensible Capacity
ESPExternal Static Pressure	SPL Sound Pressure Level
ftwg Feet of Water Gauge	TC Total Capacity
GPM Gallons per minute	TR Tons of refrigeration = 12 MBH
Hz Hertz	VVolts
inwgInch of Water Gauge	WFRWater Flow Rate
kWKilowatts	WTRWater Temperature Rise
kg Kilograms	WPDWater Pressure Drop
kPa Kilo Pascals	
LADB Leaving Air Dry Bulb	

Notes:

SKM fan coil units manufactured by SKM are available in two versions, for standard application D Series and for District cooling application DC Series are illustrated in the catalogue.



SKM reserves the right to change, in part or in whole the specifications of its Air Conditioning Equipment at any time in order to add the latest technology. Therefore, the enclosed information may change without any prior notice.

Introduction

SKM Fan Coil Units from SKM are a complete line of fan coil units to meet most air conditioning requirements. High quality units are available for installation in apartments and single or multi room offices, schools, clinics, etc.

SKM Fan Coil Units from SKM are low noise, 3-speed units and available in varied configurations with many options and accessories.

SKM Fan Coil Units are easily installed and serviced. SKM Fan Coil Units feature high operating efficiency, low operating cost and quiet energy efficient fan motors.

SKM Fan Coil Units are designed and built in the Gulf to meet requirements of high sensible heat ratio, durability, minimum maintenance needs.

Deliveries on SKM Fan Coil Units are reliably prompt.

For those urgent jobs, **SKM** Fan Coil Units can be delivered, on request, as fast as required, handled the way they will be installed, with or without factory piped valve package to reduce field installation time and piping time to an absolute minimum.

SKM Fan Coil Units are certified in accordance with AHRI-440 standard.

SKM provides qualified service and stock of replacement parts in all major cities of the G.C.C. countries, Egypt, Jordan, and Pakistan. See back cover for details or call SKM.

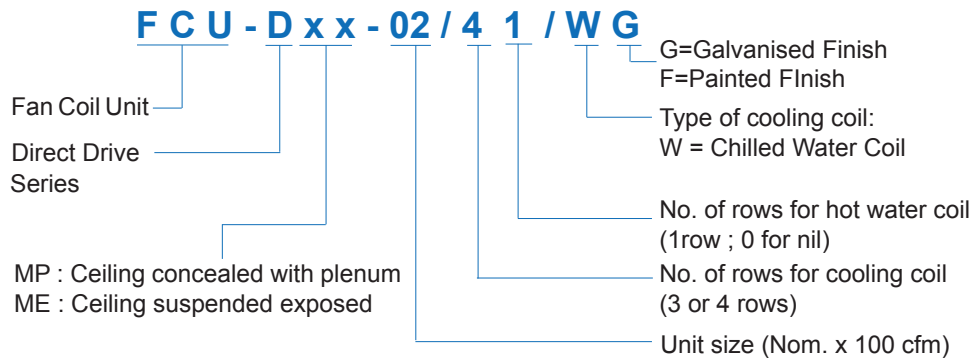
SKM Air Conditioning LLC



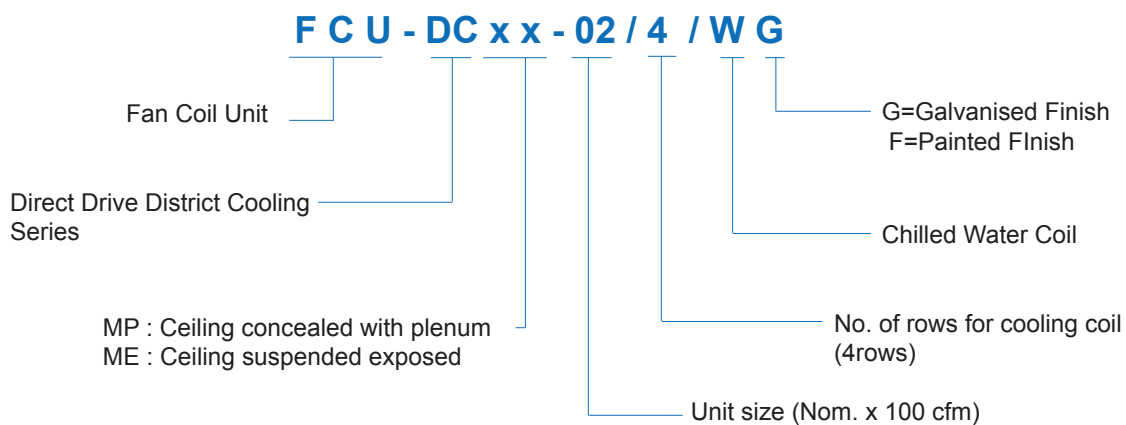
You name it....We cool it

Nomenclature

Standard FCU Models



District Cooling FCU Models



General Features

Fan coil units manufactured by SKM have been designed with the requirement of the Middle East market foremost in consideration.

SKM fan coil units are ideally suited for installation in chilled water or to meet air conditioning requirements of individual rooms throughout the year. Increasingly, architects require a hidden indoor unit with custom enclosure to match the aesthetic requirements of the space.

For individual room temperature control in chilled water applications, SKM fan coils can be an ideal solution on major projects involving:

- Apartment Complexes
- Office Blocks
- Hospitals & Clinics
- Shopping Malls & Centers
- Airports
- Hi-rise Buildings
- Hotels & Motels
- Commercial Developments
- Schools & Colleges
- Libraries

SKM fan coil units provide flexibility of architectural design, economy of operation and space usage, individual room control with privacy, quietness, versatility of location and installation, and multiplicity of control system. All these reasons make the fan coils the first choice as Fan Coil units from SKM are: You name it.....We cool it.

Features:

- High efficiency coil with high efficiency wavy corrugated fins.
- Hi-efficiency, low power consumption PSC electric motor.
- Hi-efficiency forward curved fan for quiet operation.
- Manual air vent.
- Heavy gauge galvanized casing & fan housing. Hot dip is standard.
- Insulated heavy gauge drain pan.
- Quick electrical connections.

Component Features

Casing

Units are constructed from heavy gauge galvanized steel sheet complying with ASTM A653 and JIS-G3302 standards against corrosion. Units are with 13mm thick closed cell polyfoam insulation.

Options

- Double Skin option **[DSU]** is available for DMP/DCMP models. Double skinning is applicable on fan section only and excluded from Coil section.
- Stainless Steel (Grade 304) Construction **[USS]**.
- Stainless Steel (Grade 316) Construction **[USSL]**.
- 1.0 mm thick sheet metal (GI) Outer Skin for Unit Casing **[OSG1.0]**
- 1.2 mm thick sheet metal (GI) Outer Skin for Unit Casing **[OSG1.2]**
- 13mm thick fiber glass insulation **[OSG]** Density: 32kg/m³.

Finish

DMP/DCMP units are supplied unpainted in a Galvanized finish. Standard color for DME/DCME is Ivory white (RAL 7032).

This finish and coating can pass a 1000-hour, 5% salt spray testing at 95°F (35°C) and 95% relative humidity as per ASTM B 117 DMP/DCMP series are painted when specified with option **[BEP]**

Coils

Cooling and Heating coils are manufactured from seamless copper tubes mechanically bonded to high efficiency wavy corrugated Aluminum fins. Coils are factory leak tested by air pressure at 300 psig (2068 kPa) under water. Manual air vent is standard. Chilled water cooling coils are available in 3, 4 rows. Coil connections are comes with MPT extensions supplied LH or RH as required for chilled water.

Hot water coils, single row **[CHW1]** and double rows **[CHW2]**, are available to meet a wide range of application requirements.

Hot water coils are available only in Standard applications. Coils connections are with MPT (NPT standard)

Options

- Pre-coated Fins **[EFAP]**
- The pre-coating is hydrophobic polyurethane. Pre-coated fins passed a 1000-hr, 5% salt spray test at 95°F (35°C) temperature and 95% RH, according to ASTM B117.
- Copper fins **[EFC]**
 - Automatic Air Vent **[AAV]**

Fan / Motor

SKM fan coil units use centrifugal double inlet double width low noise fans direct driven by single phase, 3-speed permanent split capacitor motor. These motors have integral thermal protection, low temperature rise, are highly efficient, have high power factor and operate almost noiselessly with permanent lubricated sleeve bearings.

Motor Technical Data

All motors used in SKM Fan Coil Units are inherently protected by means of thermal cut-out embedded in the winding. This thermal cut-out is calibrated to trip out when the winding reaches a pre determined temperature. The thermal cut out will automatically reset when the temperature returns to a safe limit.

Efficiency and Power Factor

SKM Fan Coil Units are equipped with permanent split capacitor motors because of their high efficiency and higher power factor than that of shaded pole motors being used by many other manufacturers of fan coil units.

The efficiency range of permanent split capacitor motors varies between 50 & 60 % as compared to 30 to 40 % for shaded pole motors with power factor 0.6 to 0.7 while the power factor of a permanent split capacitor motor approaches 1.0.

SKM chooses permanent split capacitor motor on the basis of their higher efficiency and power factor, in order to maintain the total power factor of the installation above a set minimum value.

Options

- FCU motor with IP44 & Class F rating **[MIPF]**
- FCU with EC motor **[ECM]**

SKM fan coils with EC motors are available in wide range to meet the requirements of high sensible heat ratio, durability and minimum maintenance. SKM fan coil EC (Electronically Commutated) motors are permanent-magnet Brushless DC (BLDC) motors in which the motor runs on a DC voltage, but with a normal AC supply.

Advantages of EC motors over conventional AC motors are;

- High efficiency
- Less power consumption and energy savings
- Quick electrical connections
- Ecofriendly and suitable for green building concept

Filter

FCUs are lined with 1" thick Aluminum media filter (ASHRAE 52.2) as standard. 1"(Nominal thickness) Synthetic washable media filter is available as Option **[1SMF]**.

Drain Pan

Fabricated from heavy gauge Zinc-coated steel sheets, painted irrespective of the type of finish for unit casing and insulated from outside by 8mm thick polyfoam insulation for a maximum protection against sweating and corrosion. Drain connection 3/4" MPT is provided for removal of condensation.

Options

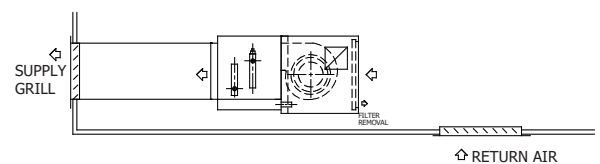
- Extended Drain Pan 100mm **[EDP1]** and 200mm **[EDP2]** extension.
- Stainless Steel Drain Pan (Grade 304) **[SDPF]**.
- Stainless Steel Drain Pan (Grade 316) **[SDPL]**.
- 2mm thick Drain Pan **[2DP]**.

Application Flexibility

SKM fan coil units are available in a capacity range of 200-2000 cfm (94-944 l/s), in various models having 13 sizes each. Configurations available include horizontal ceiling model.

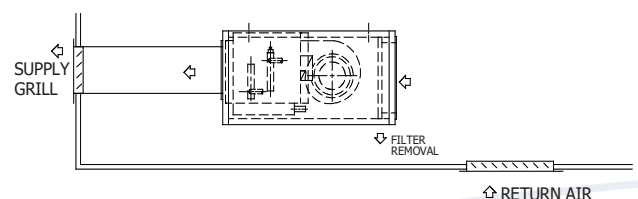
1. DMP & DCMP

Ceiling concealed applications, includes a factory installed plenum. The plenum is lined with 12mm closed cell poly foam insulation. Units are supplied with 1" cleanable filter as standard.



2. DME & DCME

Ceiling suspended, exposed type includes a cabinet with removable access panels lined with 12mm closed cell poly foam insulation. Units are supplied with 1" cleanable Filter. Units are painted with electrostatically applied polyester powder coat and supplied with supply and return air grilles as standard.



Options and Accessories

The options available for SKM Fan Coil Units include :

Electric Heaters (FEH)

Application

Electric heaters are available only for DMP/DCMP models.

SKM Fan Coil Units with factory built heating elements as shown in Table 1 are available in two variants. Order should specify **FEH1** for variant 1 and **FEH2** for variant 2. Each variant is provided with one high limit safety cut-out (Auto Reset) and arranged for 1 stage operation at 220-240V / 1PH / 50&60Hz. Maximum capacity of the electric heater is determined by the air flow rate of the particular model.

Notes:

Electric heater is not available with **[ECM]** option. For any other special requirements like thermostats, controls, power supply, etc. please contact SKM.

Contactors and Controls

Contactors are not included as standard and must be field supplied and installed.

Heater Elements

“U” shape finned tubular heating element constructed from high quality 80/20 nickel chrome resistance wire connected to terminal pins and centered in a metal tube with galvanized steel fin.

The elements are isolated from the casing. Separate power source is required for the heaters.

Unit Size	Number of Heater Elements (Qty x kW)	
	Variant 1	Variant 2
02	1 x 1	2 x 1
03	1 x 1	2 x 1
04	1 x 1.5	2 x 1.5
05	1 x 1.5	2 x 1.5
06	1 x 2	2 x 2
08	1 x 2	2 x 2
10	1 x 3	2 x 3
12	1 x 3	2 x 3
14	1 x 3	2 x 3
16	1 x 4	2 x 4
18	1 x 4	2 x 4
20	1 x 4	2 x 4

Table 1

Thermostat (CHTS)

Thermostat is wall mounted decorative type, with large LCD and backlight. Buttons are provided for power on/off, fan speed selection, cooling or heating mode selection, set point adjustment and sleep mode selection. Indoor temperature and set point are displayed simultaneously. Apart from that, display provides fan mode (high, medium, low or auto) and operating mode (cool or heat) status.

Optional remote control and remote sensor are available on request.



Thermostat for EC motors **[ECMT]** It is energy efficient modulating thermostat for controlling EC fan/motor operating on AC 24V with DC 0-10V output for valved and fan. It is very important to note that cooling and heating electric valves should be modulating type, since thermostat is providing 0-10V output for cooling and heating valves. In case, On/Off valves are used, please consult SKM during time of order as it may need to add relay converter to operate On/Off valves.

Controls

Various options on valve packages and control systems are available. Eight different valve packages are available factory installed or loose for field mounting along with 3 options on control packages. Full details of options available see full write-up on page.

Ducted Return, Rear (DRR)

Available only for DMP/DMP-EC, DCMP/DCMP-EC models. Refer to page 28

Ducted Return, Bottom (DRB)

Available only for DMP/DMP-EC, DCMP/DCMP-EC models.

Control and Valve Packages

Available from Type 1 to type 8. Refer page 24&27

Physical & Electrical Data

SKM Fan Coil Series

Unit Size		02	03	04	04R	05	06	08	10	12	14	16	18	20			
Nominal Air Flow	cfm	200	300	400	450	500	600	800	1000	1200	1400	1600	1800	2000			
	l/s	94	142	189	212	236	283	378	472	566	661	755	849	944			
COIL	Type		Copper tubes mechanically bonded to Hi-Efficiency wavy corrugated Aluminium Fins														
	Face Area	Ft ²	1.00	1.11	1.33	1.33	1.67	2.00	2.22	2.78	3.11	3.89	4.58	5.50	5.50		
		m ²	0.09	0.10	0.12	0.12	0.15	0.19	0.21	0.26	0.29	0.36	0.43	0.51	0.51		
	Fin spacing		12 FPI														
	Number of Rows		3 & 4														
	Coil In/Out (MPT) #	Inch	1/2	1/2	1/2	1/2	3/4	3/4	3/4	1	1	1	1	1 1/4	1 1/4		
	Drain Connection	Inch	3/4" MPT														
Fan	Type		Double Inlet Double Width Centrifugal Forward Curve Direct Drive														
	Model		160-160	160-160	160-160	160-160	160-160	160-160	160-200	180-200	180-200 160-200	180-200 160-200	180-200	180-200	180-200		
	Quantity		1	1	1	1	2	2	2	2	2+1	2+1	4	4	4		
Motor	Type		3 Speed Electric Motor with Permanent Split Capacitor														
	Power supply		220-240V/1Ph/50-60Hz														
	Size & Quantity	50Hz	Watts	40/1#	65/1#	72/1#	100/1#	120/1#	65/2#	150/1#	150/1#	150/1# 72/1#	150/1# 72/1#	150/2#	150/2#	200/1# 300/1#	
		60Hz		40/1#	65/1#	65/1#	-	120/1#	65/2#	150/1#	150/1#	150/1# 72/1#	150/1# 72/1#	150/2#	150/2#	200/1# 300/1#	
	Max Amps	50Hz	High	A	0.38	0.62	1.02	0.63	0.99	1.24	1.70	1.70	2.72	2.72	3.40	3.40	4.10
		60Hz			0.4	0.73	0.73	-	0.96	1.46	2.1	2.1	3.22	3.22	4.2	4.2	5.7
Unit Weight (Kgs)		DMP/DCMP	16.3	19.7	22.4	23.1	26.1	28.8	34.5	43.5	51.4	58.8	73.3	81.9	83.2		
		DME/DCME	21.2	25.6	29.1	29.8	34.0	37.5	44.8	56.5	66.8	76.4	95.2	106.4	108.2		

Table 2

All specifications are subjected to change by the manufacturer without prior notice. The performance data are based on the following conditions.

- 1) Air entering temperature: 80°F/67°F (27°C/19.5°C), 45°F/55°F (7.2°C/12.8°C) entering /leaving chilled water temperature.
- 2) Weight of basic units are provided, (single skin casing + fan + motor + 4 row coil with 12 fpi Aluminum fins + 1" thick flat filter). For units with any additional option, consult SKM for the weight.
- 3) Connection sizes mentioned refers to DMP/DME models.

Physical & Electrical Data

SKM Fan Coil EC Series

Unit Size		02	03	04	05	06	08	10	12	14	16	18	20	
Nominal Air Flow	cfm	200	300	400	500	600	800	1000	1200	1400	1600	1800	2000	
	l/s	94	142	189	236	283	377	472	566	660	755	849	943	
COIL	Type	Copper tubes mechanically bonded to Hi-Efficiency wavy corrugated Aluminium Fins												
	Face Area	Ft ²	1.00	1.11	1.33	1.67	2.00	2.22	2.78	3.11	3.89	4.58	5.50	5.50
		m ²	0.09	0.10	0.12	0.15	0.19	0.21	0.26	0.29	0.36	0.43	0.51	0.51
	Fin spacing	12 FPI												
	Number of Rows	3 & 4												
	Coil In/Out (MPT)#	Inch	1/2	1/2	1/2	3/4	3/4	3/4	1	1	1	1	1 1/4	1 1/4
Drain Connection	Inch	3/4" MPT												
Fan	Type	Double Inlet Double Width Centrifugal Forward Curve Direct Drive												
	Model	160-160	160-160	160-160	160-160	160-160	160-200	180-200	180-200	180-200	160	160	160	
	Quantity	1	1	1	2	2	2	2	2+1	2+1	4	4	4	
Motor	Type	EC motors. Control input is 0-10 VDC.												
	Power supply	220-240V/1Ph/50-60Hz												
	Size & Quantity	Watts	60/1#	60/1#	120/1#	120/1#	120/1#	60/1#	60/1#	120/2#	120/2#	170/2#	240/2#	240/2#
								120/1#	120/1#					
Max Amps	High	A	0.60	0.60	1.20	1.20	1.20	1.80	1.80	2.40	2.40	1.60	3.60	3.60
Unit Weight	DMP/DCMP	Kg	16.3	19.7	22.4	26.1	28.8	34.5	43.5	51.4	58.8	73.3	81.9	83.2
	DME/DCME		21.2	25.6	29.1	34.0	37.5	44.8	56.5	66.8	76.4	95.2	106.4	108.2

Table 3

All specifications are subjected to change by the manufacturer without prior notice. The performance data are based on the following conditions.

- 1) Air entering temperature: 80°F/67°F (27°C/19.5°C), 45°F/55°F (7.2°C/12.8°C) entering /leaving chilled water temperature.
- 2) Weight of basic units are provided, (single skin casing + fan + motor + 4 row coil with 12 fpi Aluminum fins + 1" thick flat filter). For units with any additional option, consult SKM for the weight.
- 3) #Connection sizes mentioned refers to DMP-EC/DME -ECmodels.

Nominal Capacity Rating

Models: DMP & DME

Chilled Water Coils

SIZE	Nominal	3ROWS				4ROWS			
	Air flow	Total Capacity	Sensible Capacity	Water Flow Rate	Water Pressure Drop	Total Capacity	Sensible Capacity	Water Flow Rate	Water Pressure Drop
	cfm	MBh	MBh	Gpm	ftwg	MBh	MBh	Gpm	ftwg
	l/s	kW	kW	l/s	kPa	kW	kW	l/s	kPa
2	200	7.5	5.1	1.5	3.7	9.0	5.9	1.8	6.2
	94	2.2	1.5	0.1	11.1	2.6	1.7	0.1	18.4
3	300	10.1	7.1	2.0	6.6	12.3	8.2	2.5	11.3
	142	3.0	2.1	0.1	19.6	3.6	2.4	0.2	33.8
4	400	13.1	9.2	2.6	11.5	14.3	10.1	2.9	3.0
	189	3.9	2.7	0.2	34.2	4.2	3.0	0.2	8.8
04R	450	14.0	10.1	2.8	7.2	16.5	11.5	3.3	4.1
	212	4.1	3.0	0.2	21.6	4.8	3.4	0.2	12.2
5	500	15.0	11.0	3.0	3.0	18.7	12.9	3.7	5.2
	236	4.4	3.2	0.2	8.9	5.5	3.8	0.2	15.7
6	600	18.7	13.5	3.8	4.8	23.3	15.8	4.7	8.5
	283	5.5	4.0	0.2	14.4	6.8	4.6	0.3	25.3
8	800	23.6	17.2	4.7	7.7	28.8	20.0	5.8	13.1
	378	6.9	5.0	0.3	23.1	8.5	5.9	0.4	39.2
10	1000	29.6	21.5	5.9	7.7	36.0	25.0	7.2	13.1
	472	8.7	6.3	0.4	23.1	10.6	7.3	0.5	39.2
12	1200	33.8	25.0	6.8	6.6	40.1	28.7	8.0	5.3
	566	9.9	7.3	0.4	19.7	11.8	8.4	0.5	15.8
14	1400	38.1	28.9	7.6	2.8	48.2	34.2	9.6	4.9
	661	11.2	8.5	0.5	8.2	14.1	10.0	0.6	14.6
16	1600	46.0	34.0	9.2	4.2	57.5	40.1	11.5	7.3
	755	13.5	10.0	0.6	12.5	16.9	11.8	0.7	21.8
18	1800	56.2	40.1	11.2	8.5	66.3	45.9	13.3	6.8
	849	16.5	11.8	0.7	25.4	19.4	13.4	0.8	20.2
20	2000	59.3	43.0	11.9	9.4	70.7	49.5	14.2	7.6
	944	17.4	12.6	0.8	28.0	20.7	14.5	0.9	22.8

Table 4

NOTE:

Data based on nominal air flow rate, entering temperature: 80°F/67°F (27°C/19.5°C), 45°F/55°F (7.2°C/12.8°C) entering / leaving chilled water temperature.

For other conditions use SKM FCU selection software.

Nominal Capacity Rating

Models: DMP & DME

Hot Water Coils

SIZE	Nominal Air flow	1ROW			2ROWS		
		Total Capacity	Water Flow Rate	Water Pressure Drop	Total Capacity	Water Flow Rate	Water Pressure Drop
		MBh	Gpm	ftwg	MBh	Gpm	ftwg
		kW	l/s	kPa	kW	l/s	kPa
2	200	10.5	2.0	1.8	16.3	4.6	2.8
	94	3.1	6.1	0.5	4.8	13.7	0.8
3	300	14.4	3.5	2.4	23.3	10.9	4.0
	142	4.2	10.4	0.7	6.8	32.5	1.2
4	400	18.3	5.8	3.1	28.7	3.1	2.4
	189	5.4	17.4	1.0	8.4	9.4	0.7
04R	450	20.4	7.7	3.5	31.9	4.1	2.7
	212	6.0	23.0	1.1	9.4	12.2	0.8
5	500	22.5	9.6	3.8	35.1	5.0	3.0
	236	6.6	28.6	1.2	10.3	15.0	0.9
6	600	25.0	2.6	2.1	41.9	7.8	3.6
	283	7.3	7.7	0.7	12.3	23.2	1.1
8	800	34.5	29.3	5.9	54.9	15.7	4.7
	378	10.1	87.7	1.8	16.1	47.1	1.4
10	1000	39.7	4.1	2.7	67.5	14.9	4.6
	472	11.6	12.2	0.8	19.8	44.4	1.4
12	1200	48.7	11.3	4.1	78.3	6.3	3.3
	566	14.3	33.6	1.3	23.0	18.8	1.0
14	1400	59.0	10.4	4.0	94.1	5.7	3.2
	661	17.3	31.2	1.2	27.6	17.1	1.0
16	1600	67.8	15.0	4.6	108.9	8.3	3.7
	755	19.9	44.8	1.4	31.9	24.8	1.1
18	1800	79.1	13.9	4.5	125.7	7.5	3.6
	849	23.2	41.6	1.4	36.9	22.6	1.1
20	2000	83.1	15.8	4.7	133.8	8.8	3.8
	944	24.4	47.2	1.4	39.2	26.3	1.2

Table 5

NOTE:

Data based on nominal air flow, 70°F (21°C) entering air temperature, 180°F/160°F (82°C/71°C) entering/leaving hot water temperature.

For other conditions use SKM FCU selection software.

Capacity Ratings

SKM Fan Coil Series/Chilled Water - Standard

DMP & DME - 3ROWS

Size	Speed	External Static Pressure		50 Hz										60 Hz										
		inwg	Pa	Air Flow Rate		Total Capacity		Sensible Capacity		Water Flow Rate		Water Pressure		Air Flow Rate		Total Capacity		Sensible Capacity		Water Flow Rate		Water Pressure		
				cfm	l/s	MBh	kW	MBh	kW	gpm	l/s	ftwg	Kpa	cfm	l/s	Total Capacity	Sensible Capacity	gpm	l/s	ftwg	Kpa			
02	High	0.1	25	254	120	8.70	2.55	6.03	1.77	1.74	0.11	4.86	14.52	238	112	8.37	2.45	5.76	1.69	1.62	0.11	4.52	13.52	
		0.2	50	230	108	8.21	2.41	5.63	1.65	1.64	0.10	4.37	13.07	224	106	8.10	2.38	5.54	1.62	1.62	0.10	4.27	12.75	
		0.3	75	201	96	7.62	2.23	5.13	1.50	1.52	0.10	3.80	11.37	206	97	7.72	2.26	5.22	1.53	1.54	0.10	3.90	11.66	
	Medium	0.1	25	230	108	8.21	2.41	5.62	1.65	1.64	0.10	4.37	13.05	189	89	7.37	2.16	4.93	1.45	1.47	0.09	3.58	10.71	
		0.2	50	207	98	7.75	2.27	5.24	1.54	1.55	0.10	3.93	11.74	172	81	6.98	2.05	4.62	1.35	1.40	0.09	3.25	9.70	
		0.3	75	175	82	7.04	2.06	4.66	1.37	1.41	0.09	3.29	9.84	158	75	6.64	1.95	4.35	1.29	1.33	0.08	2.96	8.85	
	Low	0.1	25	205	97	7.74	2.26	5.21	1.53	1.54	0.10	3.89	11.64	187	74	6.62	1.94	4.35	1.29	1.32	0.08	2.94	8.79	
		0.2	50	182	86	7.21	2.11	4.80	1.41	1.44	0.09	3.44	10.28	144	68	6.29	1.84	4.08	1.20	1.26	0.08	2.68	8.01	
		0.3	75	154	73	6.55	1.92	4.28	1.25	1.31	0.08	2.89	8.62	130	61	5.92	1.74	3.80	1.11	1.18	0.07	2.40	7.16	
	03	High	0.1	25	284	134	9.92	2.91	6.82	2.00	1.98	0.13	6.41	19.17	340	161	11.02	3.23	7.72	2.26	2.20	0.14	7.78	23.24
			0.2	50	261	123	9.44	2.77	6.42	1.88	1.89	0.12	5.85	17.49	322	152	10.67	3.13	7.43	2.18	2.13	0.13	7.32	21.89
			0.3	75	225	106	8.67	2.54	5.81	1.70	1.73	0.11	5.01	14.97	302	143	10.26	3.01	7.12	2.09	2.06	0.13	6.85	20.46
Medium		0.1	25	256	121	9.33	2.73	6.33	1.86	1.87	0.12	5.72	12.41	295	139	10.14	2.97	7.00	2.05	2.03	0.13	6.97	19.94	
		0.2	50	234	110	8.87	2.60	5.96	1.75	1.77	0.11	5.22	15.61	282	133	9.87	2.89	6.77	1.99	1.97	0.12	6.35	18.98	
		0.3	75	198	93	8.04	2.36	5.31	1.56	1.61	0.10	4.36	13.02	264	124	9.50	2.79	6.47	1.90	1.90	0.12	5.92	17.70	
Low		0.1	25	235	111	8.89	2.61	5.98	1.75	1.78	0.11	5.24	15.67	249	117	9.18	2.69	6.21	1.82	1.84	0.12	5.56	16.62	
		0.2	50	217	102	8.48	2.48	5.65	1.66	1.70	0.11	4.80	14.34	233	110	8.84	2.59	5.94	1.74	1.77	0.11	5.19	15.51	
		0.3	75	182	86	7.65	2.24	5.01	1.47	1.53	0.10	3.98	11.89	213	100	8.39	2.46	5.58	1.64	1.68	0.11	4.71	14.09	
04		High	0.1	25	318	149	11.29	3.43	8.02	2.41	2.40	0.16	7.26	21.87	425	200	13.77	4.04	9.61	2.82	2.75	0.17	12.50	37.30
			0.2	50	347	164	12.43	3.64	8.43	2.47	2.49	0.16	10.36	30.96	400	189	13.37	3.92	9.26	2.71	2.67	0.17	11.84	35.39
			0.3	75	309	146	11.71	3.43	7.82	2.29	2.34	0.15	9.26	27.73	376	178	12.96	3.80	8.89	2.61	2.59	0.16	11.17	33.40
	Medium	0.1	25	312	147	11.78	3.45	7.88	2.31	2.36	0.15	9.39	28.06	375	177	12.94	3.79	8.87	2.60	2.59	0.16	11.14	33.30	
		0.2	50	289	137	11.26	3.30	7.47	2.19	2.25	0.14	8.63	25.79	357	169	12.61	3.70	8.59	2.52	2.52	0.16	10.64	31.80	
		0.3	75	255	120	10.42	3.05	6.84	2.00	2.03	0.13	7.49	22.39	330	156	12.13	3.55	8.17	2.40	2.43	0.15	9.90	29.58	
	Low	0.1	25	263	124	10.62	3.11	6.99	2.05	2.12	0.13	7.75	21.58	317	150	11.88	3.48	7.96	2.33	2.38	0.14	9.31	28.40	
		0.2	50	242	114	10.08	2.96	6.58	1.93	1.93	0.13	7.05	21.08	296	140	11.41	3.35	7.55	2.23	2.23	0.14	8.85	26.48	
		0.3	75	214	101	9.35	2.74	6.04	1.77	1.87	0.12	6.14	18.34	271	128	10.82	3.17	7.14	2.09	2.16	0.14	8.03	24.00	
	04R	High	0.1	25	433	204	13.92	4.08	9.74	2.86	2.78	0.18	12.75	38.10	-	-	-	-	-	-	-	-	-	-
			0.2	50	401	189	13.38	3.92	9.27	2.72	2.68	0.17	11.86	35.45	-	-	-	-	-	-	-	-	-	-
			0.3	75	365	172	12.76	3.74	8.72	2.56	2.55	0.16	10.86	32.48	-	-	-	-	-	-	-	-	-	-
Medium		0.1	25	414	195	13.60	3.99	9.46	2.77	2.72	0.17	12.21	36.50	-	-	-	-	-	-	-	-	-	-	
		0.2	50	383	180	13.03	3.83	9.00	2.64	2.61	0.17	11.37	34.00	-	-	-	-	-	-	-	-	-	-	
		0.3	75	349	165	12.46	3.65	8.46	2.48	2.49	0.16	10.40	31.10	-	-	-	-	-	-	-	-	-	-	
Low		0.1	25	372	175	12.87	3.77	8.82	2.58	2.57	0.16	11.04	33.01	-	-	-	-	-	-	-	-	-	-	
		0.2	50	344	162	12.38	3.63	8.39	2.46	2.48	0.16	10.28	30.72	-	-	-	-	-	-	-	-	-	-	
		0.3	75	313	148	11.80	3.46	7.89	2.31	2.36	0.15	9.41	28.12	-	-	-	-	-	-	-	-	-	-	
05		High	0.1	25	574	271	16.61	4.87	12.16	3.56	3.32	0.21	16.82	40.83	569	268	16.51	4.84	12.08	3.54	3.30	0.21	15.58	40.72
			0.2	50	521	246	15.68	4.60	11.36	3.33	3.14	0.20	13.25	31.75	545	257	16.11	4.72	11.72	3.43	3.22	0.20	14.23	40.23
			0.3	75	456	215	14.51	4.25	10.36	3.04	2.90	0.18	12.82	34.43	522	246	15.69	4.60	11.37	3.33	3.14	0.20	13.26	39.74
	Medium	0.1	25	534	252	15.92	4.67	11.56	3.39	3.18	0.20	13.35	30.41	540	248	14.23	4.17	10.10	2.96	2.85	0.18	12.72	38.12	
		0.2	50	491	231	15.12	4.43	10.88	3.19	3.02	0.19	13.04	29.09	526	241	13.99	4.10	9.89	2.90	2.80	0.18	12.63	37.87	
		0.3	75	432	204	14.09	4.13	9.98	2.92	2.82	0.18	12.67	27.97	499	233	13.68	4.01	9.61	2.82	2.74	0.17	12.53	37.55	
	Low	0.1	25	459	217	14.57	4.27	10.40	3.05	2.91	0.18	12.84	34.08	522	243	13.63	3.41	7.84	2.30	2.33	0.15	11.87	35.88	
		0.2	50	431	203	14.07	4.12	9.96	2.92	2.81	0.18	12.66	32.58	508	238	13.38	3.48	7.66	2.33	2.24	0.15	11.78	35.36	
		0.3	75	374	177	13.07	3.83	9.06	2.66	2.61	0.16	12.32	29.75	475	225	13.09	3.19	7.29	2.14	2.18	0.14	11.65	34.94	
	06	High	0.1	25	600	283	19.15	5.61	13.54	3.97	3.83	0.24	15.03	35.04	690	325	20.75	6.08	14.90	4.37	4.15	0.26	15.84	47.46
			0.2	50	548	259	18.17	5.32	12.71	3.73	3.63	0.23	14.56	33.64	661	312	20.26	5.94	14.47	4.24	4.05	0.26	15.59	46.70
			0.3	75	485	229	16.93	4.96	11.67	3.42	3.39	0.21	14.00	31.96	625	295	19.61	5.75	13.93	4.08	3.92	0.25	15.26	45.72
Medium		0.1	25	547	258	18.14	5.32	12.70	3.72	3.63	0.23	14.55	33.61	616	291	19.45	5.70	13.79	4.04	3.89	0.25	15.18	45.88	
		0.2	50	502	247	17.67	5.06	11.96	3.51	3.45	0.22	13.94	32.41	595	281	19.04	5.58	13.55	3.94	3.81	0.24	14.98	44.88	
		0.3	75	439	207	16.01	4.69	10.91	3.20	3.20	0.20	13.61	30.78	566	267	18.51	5.42	13.00	3.81	3.70	0.23	14.72	44.32	
Low		0.1	25	481	227	16.86	4.94	11.61	3.40	3.37	0.21	13.97	31.87	544	257	18.08	5.30	12.64	3.71	3.62	0.23	14.52	43.52	
		0.2	50	440	208	16.03	4.70	10.93	3.20	3.21	0.20	13.62	30.81	515	243	17.52	5.14	12.17	3.57	3.50	0.22	14.27	42.76	
		0.3	75	388	183	14.95	4.38	10.03	2.94	2.99	0.19	13.18	29.49	477	225	16.78	4.92	11.55	3.38	3.36	0.21	13.94	41.76	
08		High	0.1	25	833	393	24.65	7.22	17.70	5.19	4.93	0.31	17.37	25.01	913	431	25.92	7.60	18.83	5.52	5.18	0.33	19.19	27.47
			0.2	50	746	353	23.27	6.82	16.48	4.83	4.65	0.29	16.52	24.47	863	407	25.13	7.37	18.13	5.31	5.03	0.32	18.68	25.94
			0.3	75	653	308	21.52	6.31	15.02	4.45	4.30	0.27	16.50	22.48	802	378	24.15	7.08	17.26	5.06	4.78	0.30	18.06	24.38
	Medium	0.1	25	784	370	23.87	7.00	17.01	4.99	4.77	0.30	17.88	23.57	831	392	24.62	7.21	17.67	5.18	4.92	0.31	18.35	24.96	
		0.2	50	700	330	22.41	6.57	15.75	4.62	4.48	0.28	17.01	20.95											

Capacity Ratings

SKM Fan Coil Series/Chilled Water - Standard

DMP & DME - 4ROWS

Size	Speed	External Static Pressure		50 Hz										60 Hz										
		inwg	Pa	Air Flow Rate		Total Capacity		Sensible Capacity		Water Flow Rate		Water Pressure Drop		Air Flow Rate		Total Capacity		Sensible Capacity		Water Flow Rate		Water Pressure Drop		
				cfm	l/s	MBh	kW	MBh	kW	gpm	l/s	ftwg	Kpa	cfm	l/s	MBh	kW	MBh	kW	gpm	l/s	ftwg	Kpa	
02	High	0.1	25	248	117	10.43	3.06	6.90	2.02	2.09	0.13	8.10	24.20	235	111	10.09	2.96	6.64	1.95	2.02	0.13	7.62	22.77	
		0.2	50	224	106	9.77	2.86	6.40	1.88	1.95	0.12	7.19	21.49	222	105	9.72	2.85	6.36	1.86	1.94	0.12	7.11	21.25	
		0.3	75	195	92	8.92	2.61	5.77	1.69	1.78	0.11	6.08	18.17	203	96	9.14	2.68	5.93	1.74	1.83	0.12	6.36	19.00	
	Medium	0.1	25	226	107	9.82	2.88	6.44	1.89	1.96	0.12	7.25	21.66	187	88	8.65	2.54	5.58	1.64	1.73	0.11	5.75	17.20	
		0.2	50	203	96	9.14	2.68	5.93	1.74	1.83	0.12	6.36	19.01	170	80	8.13	2.38	5.21	1.53	1.63	0.10	5.14	15.37	
		0.3	75	169	80	8.09	2.37	5.18	1.52	1.62	0.10	5.09	15.22	156	74	7.66	2.24	4.87	1.43	1.53	0.10	4.61	13.78	
	Low	0.1	25	202	95	9.11	2.67	5.91	1.73	1.82	0.11	5.44	16.37	143	68	7.63	2.24	4.85	1.42	1.53	0.10	4.57	13.67	
		0.2	50	178	84	8.39	2.46	5.39	1.58	1.68	0.11	4.66	13.27	133	61	6.86	2.06	4.55	1.33	1.44	0.09	4.12	12.32	
		0.3	75	151	71	7.47	2.19	4.73	1.39	1.49	0.09	4.40	13.15	128	61	6.66	1.95	4.18	1.22	1.33	0.08	3.58	10.69	
	03	High	0.1	25	279	132	11.91	3.49	7.83	2.29	2.38	0.15	10.72	32.04	338	159	13.26	3.89	8.91	2.61	2.65	0.17	13.04	38.98
			0.2	50	254	120	11.22	3.29	7.31	2.14	2.24	0.14	9.61	28.71	318	150	12.84	3.76	8.57	2.51	2.57	0.16	12.29	36.75
			0.3	75	218	103	10.09	2.96	6.50	1.90	2.02	0.13	7.92	23.68	298	141	12.38	3.63	8.20	2.40	2.48	0.16	11.50	34.37
Medium		0.1	25	252	119	11.14	3.27	7.26	2.13	2.23	0.14	9.49	28.36	293	138	12.25	3.59	8.10	2.37	2.45	0.15	11.29	33.74	
		0.2	50	229	108	10.44	3.06	6.74	1.98	2.09	0.13	8.42	25.17	279	132	11.93	3.50	7.84	2.30	2.39	0.15	10.75	32.12	
		0.3	75	191	90	9.23	2.71	5.89	1.73	1.85	0.12	6.74	20.14	260	123	11.40	3.34	7.44	2.18	2.28	0.14	9.89	29.57	
Low		0.1	25	232	110	10.55	3.09	6.83	2.00	2.11	0.13	8.59	25.67	245	116	10.95	3.21	7.12	2.09	2.19	0.14	9.19	27.47	
		0.2	50	212	100	9.91	2.90	6.36	1.87	1.98	0.12	7.66	22.88	230	108	10.47	3.07	6.77	1.98	2.09	0.13	8.47	25.32	
		0.3	75	173	83	8.69	2.65	5.51	1.61	1.74	0.11	6.03	18.02	211	99	9.87	2.89	6.34	1.86	1.97	0.12	7.61	22.74	
04		High	0.1	25	369	174	13.84	4.06	9.54	2.80	2.77	0.17	2.78	8.32	415	196	14.90	4.37	10.41	3.05	2.98	0.19	3.19	9.54
			0.2	50	337	159	13.12	3.84	8.94	2.62	2.62	0.17	2.52	7.53	392	185	14.37	4.21	9.98	2.92	2.87	0.18	2.98	8.92
			0.3	75	299	141	12.22	3.58	8.21	2.41	2.44	0.15	2.21	6.61	367	173	13.80	4.04	9.51	2.79	2.76	0.17	2.77	8.28
	Medium	0.1	25	307	145	12.43	3.64	8.38	2.45	2.49	0.16	2.28	6.82	370	175	13.88	4.07	9.57	2.80	2.78	0.18	2.80	8.36	
		0.2	50	283	134	11.84	3.47	7.90	2.32	2.37	0.15	2.09	6.24	350	165	13.42	3.93	9.19	2.70	2.68	0.17	2.63	7.86	
		0.3	75	248	117	10.75	3.15	7.11	2.08	2.15	0.14	1.75	5.22	324	153	12.81	3.76	8.69	2.55	2.56	0.16	2.41	7.21	
	Low	0.1	25	259	122	11.12	3.26	7.37	2.16	2.22	0.14	1.86	5.55	313	148	12.57	3.68	8.49	2.49	2.51	0.16	2.33	6.96	
		0.2	50	238	112	10.44	3.06	6.88	2.02	2.09	0.13	1.65	4.94	291	137	12.04	3.53	8.06	2.36	2.41	0.15	2.15	6.44	
		0.3	75	211	99	9.53	2.79	6.23	1.83	1.91	0.12	1.40	4.18	267	126	11.34	3.32	7.53	2.21	2.27	0.14	1.93	5.76	
	04R	High	0.1	25	420	198	15.02	4.40	10.50	3.08	3.00	0.19	3.24	9.88	-	-	-	-	-	-	-	-	-	-
			0.2	50	389	184	14.30	4.19	9.92	2.91	2.86	0.18	2.96	8.84	-	-	-	-	-	-	-	-	-	-
			0.3	75	353	167	13.49	3.95	9.25	2.71	2.70	0.17	2.65	7.93	-	-	-	-	-	-	-	-	-	-
Medium		0.1	25	403	190	14.61	4.28	10.18	2.98	2.92	0.18	3.08	9.20	-	-	-	-	-	-	-	-	-	-	
		0.2	50	373	176	13.92	4.08	9.61	2.82	2.78	0.18	2.82	8.41	-	-	-	-	-	-	-	-	-	-	
		0.3	75	338	159	13.13	3.85	8.95	2.62	2.63	0.17	2.53	7.55	-	-	-	-	-	-	-	-	-	-	
Low		0.1	25	363	171	13.72	4.02	9.44	2.77	2.74	0.17	2.74	8.18	-	-	-	-	-	-	-	-	-	-	
		0.2	50	336	158	13.09	3.84	8.92	2.61	2.62	0.17	2.51	7.57	-	-	-	-	-	-	-	-	-	-	
		0.3	75	305	144	12.38	3.63	8.34	2.44	2.48	0.16	2.27	6.77	-	-	-	-	-	-	-	-	-	-	
05		High	0.1	25	553	261	20.28	5.94	13.98	4.10	4.61	0.23	18.26	56.0	264	20.45	5.99	14.12	4.14	4.09	0.26	6.20	18.53	
			0.2	50	500	236	19.03	5.58	12.99	3.81	3.81	0.24	5.43	16.23	537	254	19.93	5.84	13.70	4.01	3.99	0.25	5.91	17.67
			0.3	75	436	206	17.43	5.11	11.74	3.44	3.49	0.22	4.61	13.79	514	242	19.35	5.67	13.24	3.88	3.87	0.24	5.60	16.74
	Medium	0.1	25	520	245	19.50	5.72	13.36	3.92	3.90	0.25	5.68	16.98	436	206	17.43	5.11	11.73	3.44	3.49	0.22	4.61	13.79	
		0.2	50	475	224	18.40	5.39	12.49	3.66	3.68	0.23	5.10	15.25	423	199	17.08	5.00	11.46	3.36	3.42	0.22	4.44	13.28	
		0.3	75	414	196	16.87	4.94	11.30	3.31	3.37	0.21	4.34	12.98	403	190	16.57	4.86	11.07	3.25	3.31	0.21	4.20	12.57	
	Low	0.1	25	454	214	17.89	5.24	12.09	3.54	3.58	0.23	4.84	14.47	400	190	16.57	4.86	11.07	3.25	3.31	0.21	4.20	12.57	
		0.2	50	420	198	17.01	4.99	11.41	3.34	3.40	0.21	4.41	13.19	370	175	13.45	4.61	10.67	3.05	3.11	0.20	3.98	11.87	
		0.3	75	362	171	15.49	4.54	10.24	3.00	3.10	0.20	3.71	11.10	271	128	12.88	4.38	8.27	2.82	2.88	0.19	3.66	10.96	
	06	High	0.1	25	590	274	23.13	6.78	15.51	4.55	4.63	0.29	8.36	24.99	679	320	25.35	7.43	17.92	5.08	5.07	0.32	9.90	29.59
			0.2	50	527	249	21.74	6.37	14.45	4.24	4.35	0.27	7.45	22.28	649	306	24.69	7.24	16.78	4.92	4.94	0.31	9.43	28.19
			0.3	75	465	219	20.00	5.86	13.15	3.85	4.00	0.25	6.40	19.12	611	288	23.88	7.00	16.10	4.72	4.78	0.30	8.86	26.49
Medium		0.1	25	535	252	21.93	6.43	14.60	4.28	4.39	0.28	7.58	22.65	609	288	23.84	6.99	16.07	4.71	4.77	0.30	8.84	26.42	
		0.2	50	487	230	20.63	6.05	13.61	3.99	4.13	0.26	6.77	20.22	577	277	23.31	6.83	15.64	4.59	4.66	0.29	8.48	25.34	
		0.3	75	423	200	18.80	5.51	12.26	3.59	3.76	0.24	5.71	17.05	556	262	22.49	6.59	15.02	4.40	4.50	0.28	7.94	23.72	
Low		0.1	25	473	223	20.23	5.93	13.32	3.90	4.05	0.26	6.53	19.51	537	253	21.99	6.45	14.65	4.29	4.40	0.28	7.62	22.77	
		0.2	50	431	203	19.03	5.58	12.42	3.64	3.81	0.24	5.83	17.43	506	239	21.16	6.20	14.01	4.11	4.23	0.27	7.09	21.19	
		0.3	75	379	179	17.48	5.12	11.28	3.31	3.50	0.22	4.99	14.93	483	221	20.10	5.89	13.22	3.88	4.02	0.25	6.45	19.29	
08		High	0.1	25	790	373	29.28	8.58	20.02	5.87	5.86	0.37	13.50	40.34	889	419	31.65	9.28	21.85	6.40	6.33	0.40	15.58	46.58
			0.2	50	709	334	26.33	8.04	18.43	5.47	5.47	0.36	12.11	35.92	836	394	30.39	8.91	20.87	6.12	6.08	0.38	14.45	43.20
			0.3	75	620	293	25.32	7.42	16.85	5.04	5.06	0.32	10.32	30.86	773	365	28.89	8.47	19.71	5.78	5.78	0.36	13.17	39.36
	Medium	0.1	25	748	353	28.26	8.28	19.22	5.63	5.65	0.36	12.64	37.78	804	379	29.61	8.68	20.27	5.94	5.92	0.37	13.77	41.17	
		0.2	50	666	314	26.39	7.74	17.7																

Capacity Ratings

SKM Fan Coil Series/Hot Water- Standard

DMP & DME - 1ROW

Size	Speed	External Static Pressure		50 Hz						60 Hz										
		Pa		Air Flow Rate		Total Capacity		Water Flow Rate		Air Flow Rate		Total Capacity		Water Flow Rate						
		inwg	Pa	cfm	l/s	MBh	kW	gpm	l/s	ftwg	Kpa	cfm	MBh	kW	gpm	l/s	ftwg	Kpa		
02	High	0.1	25	220	104	11.88	3.48	1.19	0.07	2.47	7.40	263	124	12.75	3.74	1.27	0.08	2.79	8.33	
		0.2	50	200	94	11.41	3.34	1.14	0.07	2.32	6.94	250	118	12.49	3.66	1.25	0.08	2.69	8.04	
		0.3	75	177	84	10.78	3.16	1.08	0.07	2.13	6.37	231	109	12.10	3.55	1.21	0.08	2.55	7.63	
	Medium	0.1	25	196	92	11.32	3.32	1.13	0.07	2.29	6.85	213	101	11.72	3.43	1.17	0.07	2.42	7.24	
		0.2	50	180	85	10.85	3.18	1.09	0.07	2.15	6.43	193	91	11.23	3.29	1.12	0.07	2.27	6.77	
		0.3	75	156	73	10.05	2.94	1.00	0.06	1.93	5.76	175	83	10.70	3.14	1.07	0.07	2.11	6.30	
	Low	0.1	25	176	83	10.73	3.14	1.07	0.07	2.11	6.32	175	82	10.69	3.13	1.07	0.07	2.10	6.29	
		0.2	50	157	74	10.08	2.95	1.01	0.06	1.94	5.79	160	75	10.19	2.98	1.02	0.06	1.96	5.87	
		0.3	75	134	63	9.25	2.71	0.92	0.06	1.73	5.17	144	68	9.64	2.83	0.96	0.06	1.82	5.45	
	03	High	0.1	25	264	125	13.65	4.00	1.36	0.09	3.17	9.49	380	180	15.92	4.67	1.59	0.10	4.27	12.77
			0.2	50	245	116	13.23	3.88	1.32	0.08	3.00	8.97	362	171	15.55	4.56	1.55	0.10	4.08	12.18
			0.3	75	218	103	12.62	3.70	1.26	0.08	2.76	8.25	340	161	15.14	4.44	1.51	0.10	3.87	11.56
Medium		0.1	25	234	111	12.99	3.91	1.30	0.08	2.91	8.69	327	154	14.88	4.36	1.49	0.09	3.74	11.17	
		0.2	50	218	103	12.61	3.70	1.26	0.08	2.76	8.25	313	148	14.63	4.29	1.46	0.09	3.61	10.81	
		0.3	75	192	91	11.94	3.50	1.19	0.08	2.52	7.52	295	139	14.27	4.18	1.43	0.09	3.45	10.31	
Low		0.1	25	213	101	12.49	3.66	1.25	0.08	2.71	8.11	276	130	13.89	4.07	1.39	0.09	3.28	9.80	
		0.2	50	200	94	12.15	3.56	1.22	0.08	2.59	7.75	259	122	13.53	3.97	1.35	0.09	3.13	9.34	
		0.3	75	175	82	11.44	3.35	1.14	0.07	2.35	7.03	238	112	13.08	3.84	1.31	0.08	2.94	8.80	
04		High	0.1	25	376	178	17.78	5.21	1.78	0.11	5.48	16.38	482	227	19.96	5.85	2.00	0.13	7.09	21.19
			0.2	50	348	164	17.17	5.03	1.72	0.11	5.09	15.20	457	215	19.47	5.71	1.95	0.12	6.70	20.02
			0.3	75	315	149	16.43	4.82	1.64	0.10	4.64	13.86	429	203	18.91	5.54	1.89	0.12	6.27	18.75
	Medium	0.1	25	300	142	16.10	4.72	1.61	0.10	4.45	13.30	419	198	18.70	5.48	1.87	0.12	6.12	18.28	
		0.2	50	284	134	15.74	4.61	1.57	0.10	4.25	12.70	402	190	18.32	5.37	1.83	0.12	5.85	17.49	
		0.3	75	257	121	15.08	4.42	1.51	0.10	3.90	11.65	377	178	17.79	5.21	1.78	0.11	5.49	16.40	
	Low	0.1	25	252	119	14.95	4.38	1.50	0.09	3.84	11.47	355	168	17.32	5.08	1.73	0.11	5.18	15.48	
		0.2	50	235	111	14.50	4.25	1.45	0.09	3.62	10.81	333	157	16.83	4.93	1.68	0.11	4.87	14.57	
		0.3	75	210	99	13.78	4.04	1.38	0.09	3.29	9.82	306	145	16.25	4.76	1.62	0.10	4.53	13.54	
	04R	High	0.1	25	563	266	23.04	6.76	2.31	0.15	11.22	33.52	-	-	-	-	-	-	-	-
			0.2	50	516	243	22.10	6.48	2.21	0.14	10.07	30.10	-	-	-	-	-	-	-	-
			0.3	75	460	217	20.94	6.14	2.10	0.13	8.80	26.29	-	-	-	-	-	-	-	-
Medium		0.1	25	490	232	21.53	6.31	2.16	0.14	9.71	29.03	-	-	-	-	-	-	-	-	
		0.2	50	459	217	20.88	6.12	2.09	0.13	8.97	26.81	-	-	-	-	-	-	-	-	
		0.3	75	411	194	19.80	5.83	1.99	0.13	7.97	23.83	-	-	-	-	-	-	-	-	
Low		0.1	25	410	194	19.87	5.83	1.99	0.13	7.98	23.86	-	-	-	-	-	-	-	-	
		0.2	50	390	184	19.43	5.70	1.94	0.12	7.61	22.75	-	-	-	-	-	-	-	-	
		0.3	75	348	164	18.50	5.42	1.85	0.12	6.81	20.36	-	-	-	-	-	-	-	-	
05		High	0.1	25	750	354	28.30	8.30	2.83	0.18	16.95	50.66	634	299	26.04	7.63	2.60	0.16	13.71	41.00
			0.2	50	683	322	27.02	7.92	2.70	0.17	15.05	44.99	612	289	25.61	7.51	2.56	0.16	13.16	39.34
			0.3	75	604	285	25.45	7.46	2.55	0.16	12.95	38.72	585	276	25.08	7.35	2.51	0.16	12.49	37.32
	Medium	0.1	25	681	321	26.96	7.80	2.70	0.17	14.97	44.76	485	229	23.21	6.90	2.32	0.15	10.33	30.87	
		0.2	50	633	299	26.02	7.63	2.60	0.16	13.69	40.91	472	223	22.86	6.73	2.30	0.14	10.06	30.07	
		0.3	75	565	267	24.72	7.24	2.47	0.16	12.04	36.00	456	215	22.64	6.64	2.26	0.14	9.73	29.09	
	Low	0.1	25	569	268	24.78	7.26	2.48	0.16	12.12	36.24	330	156	19.46	5.70	1.95	0.12	6.84	20.45	
		0.2	50	545	257	24.35	7.14	2.43	0.15	11.60	34.69	323	152	19.24	5.64	1.92	0.12	6.67	19.95	
		0.3	75	485	229	23.22	6.80	2.32	0.15	10.33	30.89	306	144	18.75	5.50	1.87	0.12	6.30	18.83	
	06	High	0.1	25	799	377	32.60	9.55	3.26	0.21	24.90	74.43	774	365	30.03	8.80	3.00	0.19	13.65	10.91
			0.2	50	734	347	31.05	9.10	3.10	0.20	21.91	66.48	746	352	29.55	8.66	2.95	0.19	13.54	10.57
			0.3	75	654	309	29.39	8.61	2.94	0.19	18.99	56.77	711	335	28.94	8.48	2.89	0.18	13.40	10.15
Medium		0.1	25	711	335	30.47	8.93	3.05	0.19	20.86	62.35	687	324	28.50	8.35	2.85	0.18	13.30	9.86	
		0.2	50	662	312	29.53	8.65	2.95	0.19	19.22	57.45	663	313	28.06	8.22	2.81	0.18	13.20	9.58	
		0.3	75	585	276	27.99	8.21	2.80	0.18	16.76	50.11	638	301	27.58	8.08	2.76	0.17	13.10	9.28	
Low		0.1	25	622	293	28.75	8.43	2.88	0.18	17.95	53.67	605	286	26.98	7.91	2.70	0.17	12.98	8.91	
		0.2	50	570	270	27.72	8.12	2.77	0.17	16.35	48.87	578	273	26.48	7.76	2.65	0.17	12.88	8.61	
		0.3	75	506	239	26.39	7.71	2.63	0.17	14.51	42.76	540	255	25.77	7.55	2.58	0.16	12.75	8.21	
08		High	0.1	25	1022	482	36.36	10.66	3.64	0.23	5.49	16.42	1051	496	36.81	10.79	3.68	0.23	5.64	16.87
			0.2	50	924	436	34.72	10.18	3.47	0.22	4.97	14.84	999	471	35.97	10.54	3.60	0.23	5.36	16.04
			0.3	75	810	382	32.73	9.59	3.27	0.22	4.38	13.10	941	444	35.00	10.26	3.50	0.22	5.05	15.10
	Medium	0.1	25	950	448	35.16	10.30	3.52	0.22	5.10	15.25	960	453	35.33	10.35	3.53	0.22	5.16	15.41	
		0.2	50	855	403	33.52	9.82	3.35	0.21	4.61	13.77	906	428	34.41	10.09	3.44	0.22	4.87	14.56	
		0.3	75	742	350	31.46	9.22	3.15	0.20	4.04	12.08	831	391	33.11	9.70	3.31	0.21	4.49	13.42	
	Low	0.1	25	809	382	32.72	9.59	3.27	0.21	4.38	13.09	719	339	31.02	9.09	3.10	0.20	3.93	11.74	
		0.2	50	739	349	31.40	9.20	3.14	0.20	4.03	12.03	678	320	30.24	8.86	3.02	0.19	3.73	11.16	
		0.3	75	614	290	29.01	8.50	2.90	0.18	3.44	10.29	635	300	29.42	8.62	2.94	0.19	3.54	10.57	
	10	High	0.1	25	2079	981	57.48	16.85	5.75	0.36	9.51	28.41	1223	577	44.54	13.06	4.45	0.28	5.25	15.71
			0.2	50	1931	911	56.26	16.20	5.53	0.35	8.64	25.82	1173	554	43.70	12.81	4.37	0.28	5.04	15.07
			0.3	75	1763	832	52.77	15.47	5.28	0.33	7.74	23.13	1122	530	42.83	12.55	4.28	0.27	4.83	14.43
Medium		0.1	25	1981	898	54.52	15.98	5.45	0.34	8.36	24.99	989	472	40.69	11.93	4.07	0.26	4.33	12.96	
		0.2	50	1735	819	52.37	15.35	5.24	0.33	7.60	22.71	954	450	39.85	11.68	3.99	0.25	4.15	12.41	
		0.3	75	1572	742	49.99	14.65	5.00	0.32	6.81	20.37	904	427	38.87	11.39	3.89	0.25	3.95	11.80	
Low		0.1	25	1575	743	50.03	14.67	5.00	0.32	6.83	20.41	724	341	35.40	10.38	3.54	0.22	3.29	9.83	
		0.2	50	1474	696	48.52	14.22	4.85	0.31	6.36	19.02	671	317	34.35	10.07	3.43	0.22	3.11	9.29	

Capacity Ratings

SKM Fan Coil EC Series/Chilled Water- Standard

DMP-EC & DME-EC - 3ROWS

Size	Speed	External Static Pressure		Air Flow Rate		Total Capacity		Sensible Capacity		Water Flow Rate		Water Pressure Drop	
		inwg	Pa	cfm	l/s	MBh	kW	MBh	kW	gpm	l/s	ftwg	Kpa
02	Maximum	0.1	25	237	112	8.35	2.45	5.74	1.68	1.67	0.11	4.51	13.47
		0.2	50	213	100	7.87	2.31	5.34	1.56	1.57	0.10	4.04	12.07
		0.3	75	185	87	7.27	2.13	4.85	1.42	1.45	0.09	3.49	10.44
	Medium	0.1	25	215	101	7.91	2.32	5.37	1.58	1.58	0.10	4.08	12.19
		0.2	50	194	91	7.46	2.19	5.01	1.47	1.49	0.09	3.67	10.96
		0.3	75	163	77	6.75	1.98	4.44	1.30	1.35	0.09	3.05	9.12
	Minimum	0.1	25	193	91	7.46	2.19	5.00	1.47	1.49	0.09	3.66	10.94
		0.2	50	174	82	7.02	2.06	4.65	1.36	1.40	0.09	3.28	9.79
		0.3	75	147	69	6.36	1.86	4.13	1.21	1.27	0.08	2.73	8.17
03	Maximum	0.1	25	334	158	10.91	3.20	7.63	2.24	2.18	0.14	7.63	22.90
		0.2	50	284	134	9.91	2.91	6.81	2.00	1.98	0.13	6.40	19.13
		0.3	75	220	104	8.56	2.51	5.71	1.67	1.71	0.11	4.88	14.59
	Medium	0.1	25	289	136	10.01	2.93	6.89	2.02	2.00	0.13	6.52	19.48
		0.2	50	229	108	8.75	2.57	5.87	1.72	1.75	0.11	5.09	15.22
		0.3	75	193	91	7.91	2.32	5.21	1.53	1.58	0.10	4.23	12.64
	Minimum	0.1	25	222	105	8.60	2.52	5.75	1.69	1.72	0.11	4.93	14.74
		0.2	50	204	96	8.18	2.40	5.42	1.59	1.64	0.10	4.50	13.44
		0.3	75	177	83	7.51	2.20	4.90	1.44	1.50	0.09	3.85	11.50
04	Maximum	0.1	25	417	197	13.65	4.00	9.50	2.79	2.73	0.17	12.29	36.75
		0.2	50	367	173	12.80	3.75	8.75	2.56	2.56	0.16	10.92	32.65
		0.3	75	304	143	11.59	3.40	7.73	2.27	2.32	0.15	9.11	27.23
	Medium	0.1	25	349	165	12.47	3.66	8.47	2.48	2.49	0.16	10.42	31.14
		0.2	50	295	139	11.39	3.34	7.57	2.22	2.28	0.14	8.81	26.34
		0.3	75	226	107	9.66	2.83	6.27	1.84	1.93	0.12	6.52	19.48
	Minimum	0.1	25	290	137	11.28	3.31	7.49	2.19	2.26	0.14	8.66	25.88
		0.2	50	216	102	9.40	2.75	6.07	1.78	1.88	0.12	6.19	18.51
		0.3	75	183	86	8.45	2.48	5.39	1.58	1.69	0.11	5.10	15.24
05	Maximum	0.1	25	558	263	16.33	4.79	11.91	3.49	3.27	0.21	3.51	10.49
		0.2	50	487	230	15.06	4.41	10.83	3.17	3.01	0.19	3.02	9.02
		0.3	75	393	185	13.40	3.93	9.36	2.74	2.68	0.17	2.43	7.26
	Medium	0.1	25	524	247	15.72	4.61	11.40	3.34	3.14	0.20	3.27	9.78
		0.2	50	402	190	13.57	3.98	9.51	2.79	2.71	0.17	2.49	7.43
		0.3	75	350	165	12.60	3.69	8.65	2.54	2.52	0.16	2.17	6.48
	Minimum	0.1	25	362	171	12.83	3.76	8.85	2.60	2.57	0.16	2.24	6.70
		0.2	50	248	117	10.11	2.96	6.72	1.97	2.02	0.13	1.44	4.31
		0.3	75	20	10	1.23	0.36	0.92	0.22	0.25	0.02	0.03	0.09
06	Maximum	0.1	25	657	310	20.20	5.92	14.42	4.23	4.04	0.25	5.56	16.61
		0.2	50	579	273	18.74	5.49	13.20	3.87	3.75	0.24	4.84	14.45
		0.3	75	478	225	16.79	4.92	11.56	3.39	3.36	0.21	3.94	11.78
	Medium	0.1	25	561	265	18.40	5.39	12.91	3.78	3.68	0.23	4.67	13.96
		0.2	50	476	225	16.75	4.91	11.52	3.38	3.35	0.21	3.92	11.73
		0.3	75	382	171	14.36	4.21	9.56	2.80	2.87	0.18	2.95	8.81
	Minimum	0.1	25	435	205	15.93	4.67	10.84	3.18	3.19	0.20	3.57	10.68
		0.2	50	303	143	12.96	3.80	8.45	2.48	2.59	0.16	2.44	7.29
		0.3	75	251	119	11.54	3.38	7.39	2.17	2.31	0.15	1.97	5.89
08	Maximum	0.1	25	815	384	24.36	7.14	17.44	5.11	4.87	0.31	8.19	24.47
		0.2	50	728	344	22.92	6.72	16.19	4.74	4.58	0.29	7.31	21.86
		0.3	75	617	291	20.81	6.10	14.43	4.23	4.16	0.26	6.11	18.26
	Medium	0.1	25	713	337	22.65	6.64	15.96	4.68	4.53	0.29	7.15	21.38
		0.2	50	610	288	20.67	6.06	14.31	4.20	4.13	0.26	6.03	18.03
		0.3	75	460	217	17.57	5.15	11.78	3.45	3.51	0.22	4.46	13.34
	Minimum	0.1	25	601	284	20.50	6.01	14.17	4.15	4.10	0.26	5.94	17.76
		0.2	50	461	217	17.58	5.15	11.79	3.46	3.52	0.22	4.47	13.36
		0.3	75	392	185	16.00	4.69	10.55	3.09	3.20	0.20	3.75	11.22
10	Maximum	0.1	25	888	419	28.26	8.28	19.90	5.83	5.65	0.36	7.12	21.30
		0.2	50	789	372	26.36	7.73	18.33	5.37	5.27	0.33	6.26	18.72
		0.3	75	668	315	23.93	7.01	16.33	4.78	4.79	0.30	5.23	15.64
	Medium	0.1	25	750	354	25.59	7.50	17.69	5.19	5.12	0.32	5.93	17.72
		0.2	50	638	301	23.31	6.83	15.82	4.64	4.66	0.29	4.98	14.90
		0.3	75	489	231	19.88	5.89	13.17	3.86	4.00	0.25	3.75	11.20
	Minimum	0.1	25	615	290	22.83	6.69	15.43	4.52	4.57	0.29	4.79	14.33
		0.2	50	492	232	20.05	5.88	13.22	3.88	4.00	0.25	3.77	11.27
		0.3	75	418	197	18.19	5.33	11.79	3.46	3.64	0.23	3.15	9.41
12	Maximum	0.1	25	1038	490	31.93	9.36	22.76	6.67	6.39	0.40	5.90	17.64
		0.2	50	949	448	30.31	8.88	21.39	6.27	6.06	0.38	5.36	16.01
		0.3	75	839	396	28.20	8.26	19.63	5.75	5.64	0.36	4.68	13.99
	Medium	0.1	25	927	438	29.90	8.76	21.05	6.17	5.98	0.38	5.22	15.60
		0.2	50	790	373	27.26	7.99	18.84	5.52	5.45	0.34	4.39	13.13
		0.3	75	582	275	22.90	6.71	15.26	4.47	4.58	0.29	3.18	9.49
	Minimum	0.1	25	736	347	26.17	7.67	17.93	5.26	5.23	0.33	4.07	12.17
		0.2	50	575	271	22.74	6.66	15.14	4.44	4.55	0.29	3.14	9.37
		0.3	75	489	231	20.69	6.06	13.52	3.96	4.14	0.26	2.63	7.87
14	Maximum	0.1	25	1140	538	34.66	10.16	25.12	7.36	6.93	0.44	2.31	6.91
		0.2	50	1057	499	33.26	9.75	23.86	6.99	6.65	0.42	2.14	6.39
		0.3	75	965	456	31.72	9.30	22.46	6.58	6.34	0.40	1.96	5.85
	Medium	0.1	25	987	466	32.08	9.40	22.78	6.68	6.42	0.40	2.00	5.97
		0.2	50	824	389	29.20	8.56	20.20	5.92	5.84	0.37	1.68	5.01
		0.3	75	632	298	24.42	7.16	16.53	4.84	4.88	0.31	1.20	3.59
	Minimum	0.1	25	816	385	29.01	8.50	20.05	5.88	5.80	0.37	1.66	4.95
		0.2	50	641	302	24.64	7.22	16.69	4.89	4.93	0.31	1.22	3.65
		0.3	75	545	257	22.02	6.45	14.73	4.32	4.40	0.28	0.99	2.96
16	Maximum	0.1	25	1460	764	47.37	13.88	34.40	10.08	9.47	0.60	4.41	13.17
		0.2	50	1460	689	44.70	13.10	32.06	9.40	8.94	0.56	3.95	11.81
		0.3	75	1292	610	41.47	12.15	29.39	8.61	8.29	0.52	3.43	10.27
	Medium	0.1	25	1369	646	42.92	12.58	30.81	8.97	8.58	0.54	3.66	10.95
		0.2	50	1193	563	39.62	11.61	27.81	8.15	7.92	0.50	3.15	9.43
		0.3	75	974	459	35.45	10.39	24.22	7.10	7.09	0.45	2.56	7.66
	Minimum	0.1	25	1071	505	37.34	10.94	25.83	7.57	7.47	0.47	2.82	8.44
		0.2	50	825	389	32.39	9.49	21.66	6.35	6.48	0.41	2.16	6.47
		0.3	75	702	331	29.59	8.67	19.40	5.69	5.92	0.37	1.83	5.47
18	Maximum	0.1	25	1819	858	57.59	16.88	40.53	11.88	11.52	0.73	8.89	26.59
		0.2	50	1703	804	55.69	16.32	38.83	11.38	11.14	0.70	8.36	24.98
		0.3	75	1580	746	53.66	15.73	37.00	10.84	10.73	0.68	7.80	23.31
	Medium	0.1	25	1651	779	54.84	16.08	38.06	11.16	10.97	0.69	8.12	24.27
		0.2	50	1523	719	52.63	15.43	36.11	10.58	10.53	0.66	7.52	22.48
		0.3	75	1384	653	49.72	14.57	33.78	9.90	9.94	0.63	6.77	20.23
	Minimum	0.1	25	1436	678	50.82	14.90	34.65	10.16	10.16	0.64	7.05	21.06
		0.2	50	1276	602	47.39	13.89	31.92	9.36	9.48	0.60	6.19	18.50
		0.3	75	1094	516	43.25	12.68	28.68	8.41	8.65	0.55	5.22	15.61
20	Maximum	0.1	25	1883	889	58.69	17.20	41.48	12.16	11.74	0.74	9.21	27.54
		0.2	50	1755	828	56.53	16.57	39.59	11.60	11.31	0.7		

Capacity Ratings

SKM Fan Coil EC Series/Chilled Water- Standard

DMP-EC & DME-EC - 4ROWS

Size	Speed	External Static Pressure		Air Flow Rate		Total Capacity		Sensible Capacity		Water Flow Rate		Water Pressure Drop	
		inwg	Pa	cfm	l/s	MBh	kW	MBh	kW	gpm	l/s	ftwg	Kpa
02	Maximum	0.1	25	225	106	9.79	2.87	6.42	1.88	1.96	0.12	7.21	21.56
		0.2	50	203	96	9.16	2.69	5.95	1.74	1.83	0.12	6.39	19.10
		0.3	75	178	84	8.39	2.46	5.39	1.58	1.68	0.11	5.45	16.28
	Medium	0.1	25	205	97	9.21	2.70	5.99	1.76	1.84	0.12	6.45	19.29
		0.2	50	185	87	8.60	2.52	5.54	1.62	1.72	0.11	5.70	17.03
		0.3	75	157	74	7.68	2.25	4.89	1.43	1.54	0.10	4.84	13.86
	Minimum	0.1	25	183	86	8.54	2.50	5.50	1.61	1.71	0.11	5.62	16.80
		0.2	50	164	77	7.91	2.32	5.05	1.48	1.58	0.10	4.89	14.63
		0.3	75	138	65	7.02	2.06	4.42	1.30	1.40	0.09	3.94	11.76
03	Maximum	0.1	25	318	150	12.86	3.77	8.58	2.52	2.57	0.16	12.33	36.85
		0.2	50	272	128	11.73	3.44	7.69	2.25	2.35	0.15	10.43	31.16
		0.3	75	213	100	9.93	2.91	6.38	1.87	1.99	0.13	7.69	22.99
	Medium	0.1	25	277	131	11.87	3.48	7.80	2.28	2.37	0.15	10.66	31.85
		0.2	50	219	103	10.13	2.97	6.52	1.91	2.03	0.13	7.97	23.84
		0.3	75	186	88	9.05	2.65	5.76	1.69	1.81	0.11	6.49	19.41
	Minimum	0.1	25	211	99	9.87	2.89	6.34	1.86	1.97	0.12	7.60	22.73
		0.2	50	193	91	9.29	2.72	5.93	1.74	1.86	0.12	6.82	20.37
		0.3	75	167	79	8.40	2.46	5.30	1.58	1.68	0.11	5.67	16.94
04	Maximum	0.1	25	403	190	14.61	4.28	10.17	2.98	3.02	0.18	13.88	40.18
		0.2	50	354	167	13.51	3.96	9.27	2.72	2.70	0.17	12.66	36.96
		0.3	75	292	138	12.07	3.54	8.08	2.37	2.41	0.15	10.46	30.46
	Medium	0.1	25	337	159	13.12	3.85	8.95	2.62	2.62	0.17	12.52	36.54
		0.2	50	283	134	11.85	3.47	7.91	2.32	2.37	0.15	10.09	29.25
		0.3	75	217	102	9.74	2.85	6.38	1.87	1.95	0.12	7.54	22.15
	Minimum	0.1	25	279	132	11.73	3.44	7.81	2.29	2.35	0.15	10.43	31.16
		0.2	50	208	98	9.44	2.77	6.17	1.81	1.89	0.12	7.60	22.73
		0.3	75	177	83	8.34	2.44	5.39	1.58	1.67	0.11	6.09	17.82
05	Maximum	0.1	25	520	246	19.51	5.72	13.37	3.92	3.90	0.25	17.00	49.00
		0.2	50	452	213	17.83	5.23	12.05	3.53	3.57	0.22	14.81	43.39
		0.3	75	364	172	15.54	4.56	10.27	3.01	3.11	0.20	11.71	34.17
	Medium	0.1	25	490	231	18.77	5.50	12.78	3.75	3.75	0.24	15.29	44.17
		0.2	50	373	176	15.77	4.62	10.45	3.06	3.06	0.20	11.47	33.47
		0.3	75	322	152	14.38	4.21	9.39	2.75	2.88	0.18	10.24	29.67
	Minimum	0.1	25	357	168	15.35	4.50	10.13	2.97	3.07	0.19	13.65	39.61
		0.2	50	251	119	12.23	3.59	7.80	2.29	2.45	0.15	10.43	31.16
		0.3	75	213	101	10.79	3.16	6.82	2.00	2.16	0.14	8.91	25.79
06	Maximum	0.1	25	624	295	24.16	7.08	16.34	4.79	4.83	0.30	20.06	57.08
		0.2	50	546	258	22.24	6.52	14.83	4.35	4.45	0.28	17.78	50.24
		0.3	75	449	212	19.55	5.73	12.81	3.75	3.91	0.25	14.63	42.32
	Medium	0.1	25	538	254	22.03	6.46	14.67	4.30	4.41	0.28	16.64	47.83
		0.2	50	449	212	19.55	5.73	12.81	3.75	3.91	0.25	14.63	42.32
		0.3	75	337	159	16.15	4.73	10.33	3.03	3.23	0.20	12.90	37.20
	Minimum	0.1	25	427	201	18.92	5.55	12.34	3.62	3.78	0.24	15.77	45.25
		0.2	50	300	142	14.91	4.37	9.45	2.79	2.98	0.19	13.73	39.01
		0.3	75	255	121	13.28	3.89	8.33	2.44	2.66	0.17	11.01	31.01
08	Maximum	0.1	25	800	378	29.52	8.65	20.20	5.92	5.90	0.37	24.00	69.00
		0.2	50	713	337	27.43	8.04	18.57	5.44	5.49	0.35	21.96	63.75
		0.3	75	603	284	24.92	7.30	16.52	4.84	4.98	0.31	19.02	55.95
	Medium	0.1	25	699	330	27.12	7.95	18.31	5.37	5.42	0.34	21.71	63.01
		0.2	50	595	281	24.73	7.25	16.37	4.80	4.95	0.31	19.88	57.53
		0.3	75	444	210	20.46	6.00	13.19	3.87	4.09	0.26	16.97	48.84
	Minimum	0.1	25	586	276	24.51	7.18	16.20	4.75	4.90	0.31	19.72	57.06
		0.2	50	445	210	20.49	6.00	13.21	3.87	4.10	0.26	16.99	49.09
		0.3	75	378	178	18.31	5.37	11.66	3.42	3.66	0.23	15.69	45.17
10	Maximum	0.1	25	877	414	33.98	9.96	22.95	6.73	6.80	0.43	28.17	81.17
		0.2	50	779	367	31.74	9.30	21.13	6.19	6.35	0.40	25.38	73.02
		0.3	75	659	311	28.74	8.42	18.79	5.51	5.75	0.36	21.84	63.03
	Medium	0.1	25	741	350	30.85	9.04	20.42	5.98	6.17	0.39	24.43	70.43
		0.2	50	631	298	27.90	8.18	18.72	5.33	5.58	0.35	21.45	61.45
		0.3	75	484	228	23.65	6.82	14.84	4.65	4.85	0.29	17.50	50.25
	Minimum	0.1	25	609	287	27.24	7.98	17.70	5.19	5.45	0.34	21.83	63.41
		0.2	50	487	230	23.38	6.85	14.93	4.37	4.68	0.29	17.67	50.67
		0.3	75	412	194	20.76	6.08	13.10	3.84	4.15	0.26	15.45	44.21
12	Maximum	0.1	25	1015	479	37.02	10.85	25.60	7.50	7.40	0.47	32.55	93.59
		0.2	50	930	439	34.99	10.25	24.00	7.03	7.00	0.44	30.09	86.23
		0.3	75	823	388	32.30	9.47	21.89	6.42	6.46	0.41	28.33	80.55
	Medium	0.1	25	909	429	34.44	10.10	23.57	6.91	6.89	0.43	30.98	89.88
		0.2	50	775	366	31.13	9.12	20.96	6.14	6.23	0.39	27.29	78.84
		0.3	75	571	270	25.77	7.55	16.79	4.92	5.15	0.33	23.32	66.93
	Minimum	0.1	25	724	342	29.84	8.75	19.95	5.85	5.97	0.38	30.04	86.90
		0.2	50	565	267	25.60	7.50	16.66	4.88	5.12	0.32	22.29	63.84
		0.3	75	480	228	23.95	6.73	14.72	4.32	4.59	0.29	18.87	54.59
14	Maximum	0.1	25	1120	529	42.61	12.51	29.16	8.53	8.54	0.54	38.13	110.68
		0.2	50	1041	491	40.68	11.92	27.61	8.09	8.14	0.51	35.58	103.69
		0.3	75	952	449	38.48	11.28	25.86	7.58	7.70	0.49	32.23	93.64
	Medium	0.1	25	972	459	39.00	11.43	26.27	7.70	7.80	0.49	33.31	96.88
		0.2	50	813	384	34.92	10.23	23.06	6.76	6.98	0.44	29.69	85.05
		0.3	75	624	295	29.57	8.67	19.01	5.57	5.91	0.37	25.19	72.59
	Minimum	0.1	25	806	381	34.75	10.18	22.93	6.72	6.95	0.44	29.67	85.98
		0.2	50	633	299	29.84	8.75	19.21	5.63	5.97	0.38	25.01	72.61
		0.3	75	538	254	26.30	7.71	16.79	4.92	5.26	0.33	21.59	61.46
16	Maximum	0.1	25	1574	743	58.01	17.00	39.83	11.67	11.60	0.73	47.41	135.15
		0.2	50	1418	669	54.31	15.92	36.90	10.82	10.86	0.69	43.55	124.59
		0.3	75	1252	591	50.12	14.69	33.65	9.86	10.02	0.63	39.65	113.87
	Medium	0.1	25	1336	630	52.25	15.31	35.30	10.35	10.45	0.68	46.10	131.23
		0.2	50	1164	549	47.83	14.02	31.89	9.35	9.47	0.60	39.47	112.47
		0.3	75	949	448	41.92	12.29	27.41	8.03	8.38	0.53	34.05	97.12
	Minimum	0.1	25	1050	496	44.77	13.12	29.56	8.66	8.95	0.56	41.58	119.69
		0.2	50	808	381	37.73	11.06	24.31	7.13	7.55	0.48	33.34	95.97
		0.3	75	687	324	33.82	9.91	21.50	6.30	6.76	0.43	29.72	84.14
18	Maximum	0.1	25	1781	840	67.09	19.66	45.78	13.42	13.42	0.85	60.92	174.68
		0.2	50	1667	786	64.30	18.85	43.60	12.78	12.86	0.81	57.39	163.11
		0.3	75	1547	730	61.29	17.96	41.27	12.10	12.26	0.77	54.85	154.48
	Medium	0.1	25	1623	766	63.20	18.52	42.75	12.53	12.64	0.80	61.19	175.50
		0.2	50	1495	706	59.95	17.57	40.24	11.79	11.99	0.76	56.61	163.78
		0.3	75	1359	641	56.38	16.52	37.49	10.99	11.28	0.71	50.01	143.97
	Minimum	0.1	25	1415	668	57.87	16.96	38.64	11.32	11.57	0.73	52.66	151.71
		0.2	50	1257	593	53.62	15.72	35.39	10.37	10.72	0.68	46.56	133.84
		0.3	75	1077	508	48.51	14.22	31.89	9.35	9.70	0.61	39.79	113.33
20	Maximum	0.1	25	1843	870	68.55	20.09	46.95	13.76	13.71	0.87	70.20	212.52
		0.2	50										

Capacity Ratings

SKM Fan Coil EC Series/Hot Water- Standard

DMP-EC & DME-EC 1ROW

Size	Speed	External Static Pressure		Air Flow Rate		Total Capacity		Water Flow Rate		Water Pressure Drop	
		inwg	Pa	cfm	l/s	MBh	kW	gpm	l/s	ftwg	Kpa
02	High	0.1	25	289	136	13.23	3.88	1.32	0.08	2.97	8.89
		0.2	50	266	125	12.80	3.75	1.28	0.08	2.81	8.39
		0.3	75	226	107	11.99	3.52	1.20	0.08	2.51	7.52
	Medium	0.1	25	254	120	12.58	3.69	1.26	0.08	2.72	7.74
		0.2	50	236	111	12.20	3.58	1.22	0.08	2.59	7.74
		0.3	75	197	93	11.34	3.32	1.13	0.07	2.30	6.88
	Low	0.1	25	227	107	12.01	3.52	1.20	0.08	2.52	7.53
		0.2	50	204	96	11.51	3.37	1.15	0.07	2.35	7.03
		0.3	75	171	81	10.58	3.10	1.06	0.07	2.07	6.19
03	High	0.1	25	397	187	16.23	4.76	1.62	0.10	4.44	13.29
		0.2	50	348	164	15.29	4.48	1.53	0.10	3.94	11.78
		0.3	75	265	125	13.67	4.01	1.37	0.09	3.18	9.51
	Medium	0.1	25	336	159	15.06	4.41	1.51	0.10	3.82	11.43
		0.2	50	273	129	13.84	4.06	1.38	0.09	3.26	9.73
		0.3	75	229	108	12.87	3.77	1.29	0.08	2.86	8.54
	Low	0.1	25	255	120	13.44	3.94	1.34	0.08	3.09	9.23
		0.2	50	239	113	13.09	3.84	1.31	0.08	2.94	8.80
		0.3	75	207	98	12.34	3.62	1.23	0.08	2.66	7.95
04	High	0.1	25	495	233	20.20	5.92	2.02	0.13	7.29	21.78
		0.2	50	433	205	18.99	5.57	1.90	0.12	6.34	18.94
		0.3	75	359	169	17.41	5.10	1.74	0.11	5.23	15.65
	Medium	0.1	25	416	196	18.62	5.46	1.86	0.12	6.06	18.13
		0.2	50	349	165	17.18	5.03	1.72	0.11	5.09	15.21
		0.3	75	269	127	15.38	4.51	1.54	0.10	4.05	12.12
	Low	0.1	25	345	163	17.10	5.01	1.71	0.11	5.04	15.07
		0.2	50	258	122	15.11	4.43	1.51	0.10	3.91	11.70
		0.3	75	219	103	14.05	4.12	1.41	0.09	3.41	10.19
05	High	0.1	25	686	324	27.07	7.93	2.71	0.17	15.12	45.20
		0.2	50	621	293	25.77	7.55	2.58	0.16	13.37	39.96
		0.3	75	514	243	23.77	6.97	2.38	0.15	10.95	32.73
	Medium	0.1	25	617	291	25.70	7.53	2.57	0.16	13.28	39.68
		0.2	50	497	235	23.45	6.87	2.34	0.15	10.59	31.64
		0.3	75	458	216	22.68	6.65	2.27	0.14	9.78	29.22
	Low	0.1	25	428	202	22.03	6.46	2.20	0.14	9.11	27.24
		0.2	50	288	136	18.19	5.37	1.82	0.11	5.89	17.61
		0.3	75	223	105	15.94	4.67	1.59	0.10	4.47	13.35
06	High	0.1	25	768	362	29.92	8.77	2.99	0.19	16.62	48.83
		0.2	50	700	330	28.76	8.43	2.88	0.18	15.03	43.03
		0.3	75	596	281	26.80	7.86	2.68	0.17	12.95	37.00
	Medium	0.1	25	643	303	27.68	8.11	2.77	0.17	14.32	40.33
		0.2	50	554	262	26.03	7.63	2.60	0.16	12.80	36.36
		0.3	75	445	210	23.84	6.99	2.38	0.15	10.41	29.70
	Low	0.1	25	508	240	25.14	7.37	2.51	0.16	11.63	33.33
		0.2	50	348	164	21.35	6.26	2.13	0.13	8.03	23.03
		0.3	75	284	134	19.10	5.60	1.91	0.12	6.75	19.22
08	High	0.1	25	931	439	34.83	10.21	3.48	0.22	20.00	57.49
		0.2	50	823	388	32.96	9.66	3.30	0.21	17.45	50.29
		0.3	75	703	332	30.70	9.00	3.07	0.19	14.50	41.50
	Medium	0.1	25	819	386	32.89	9.64	3.29	0.21	18.43	52.24
		0.2	50	692	326	30.49	8.94	3.05	0.19	15.34	43.74
		0.3	75	528	249	27.29	8.00	2.73	0.17	11.97	34.18
	Low	0.1	25	683	322	30.32	8.89	3.03	0.19	15.75	45.22
		0.2	50	529	250	27.31	8.01	2.73	0.17	12.08	34.19
		0.3	75	464	219	25.89	7.59	2.59	0.16	10.79	30.35
10	High	0.1	25	989	467	40.51	11.87	4.05	0.26	24.29	70.04
		0.2	50	883	417	38.47	11.28	3.85	0.24	21.37	61.56
		0.3	75	750	354	35.92	10.53	3.59	0.23	18.38	52.11
	Medium	0.1	25	833	393	37.51	10.99	3.75	0.24	20.68	59.99
		0.2	50	712	336	35.17	10.31	3.52	0.22	17.35	50.71
		0.3	75	547	258	31.57	9.25	3.16	0.20	14.68	42.00
	Low	0.1	25	682	322	34.57	10.13	3.46	0.22	17.15	49.41
		0.2	50	545	257	31.52	9.24	3.15	0.20	14.78	42.98
		0.3	75	466	220	29.45	8.63	2.94	0.19	12.38	35.13
12	High	0.1	25	1187	560	48.46	14.20	4.84	0.31	31.11	89.22
		0.2	50	1089	514	46.65	13.67	4.67	0.29	27.13	78.22
		0.3	75	953	450	44.12	12.93	4.41	0.28	23.44	67.44
	Medium	0.1	25	1052	496	46.00	13.48	4.60	0.29	28.78	82.24
		0.2	50	899	424	42.92	12.58	4.29	0.27	24.77	71.77
		0.3	75	659	311	37.14	10.88	3.71	0.23	19.94	57.77
	Low	0.1	25	830	392	41.37	12.13	4.14	0.26	22.72	65.72
		0.2	50	649	306	36.87	10.81	3.69	0.23	18.55	53.48
		0.3	75	551	260	34.08	9.99	3.41	0.21	15.93	45.74
14	High	0.1	25	1278	603	56.85	16.66	5.68	0.36	36.52	103.45
		0.2	50	1193	563	55.18	16.17	5.52	0.35	32.86	94.48
		0.3	75	1085	512	52.81	15.48	5.28	0.33	28.98	83.86
	Medium	0.1	25	1103	520	53.20	15.59	5.32	0.34	31.12	89.24
		0.2	50	925	437	49.03	14.37	4.90	0.31	26.72	77.09
		0.3	75	709	335	43.20	12.66	4.32	0.27	21.08	60.19
	Low	0.1	25	910	429	48.65	14.26	4.87	0.31	28.60	81.94
		0.2	50	715	338	43.39	12.72	4.34	0.27	23.13	66.34
		0.3	75	608	287	40.15	11.77	4.02	0.25	19.46	55.04
16	High	0.1	25	1865	880	74.75	21.91	7.48	0.47	51.30	146.69
		0.2	50	1689	797	70.92	20.79	7.09	0.45	45.83	129.31
		0.3	75	1496	706	67.10	19.67	6.71	0.42	39.60	111.65
	Medium	0.1	25	1558	735	68.25	20.00	6.82	0.43	46.59	131.59
		0.2	50	1368	646	64.62	18.94	6.46	0.41	40.28	113.69
		0.3	75	1118	527	59.37	17.40	5.94	0.37	33.76	95.72
	Low	0.1	25	1212	572	61.40	18.00	6.14	0.39	34.93	100.00
		0.2	50	937	442	55.09	16.15	5.51	0.35	28.84	81.64
		0.3	75	799	377	50.88	14.91	5.09	0.32	24.29	69.22
18	High	0.1	25	2057	971	85.75	25.13	8.58	0.54	61.31	173.31
		0.2	50	1937	914	83.12	24.36	8.31	0.52	55.84	157.35
		0.3	75	1803	851	80.68	23.65	8.07	0.51	49.87	140.87
	Medium	0.1	25	1854	875	81.61	23.92	8.16	0.51	56.11	157.18
		0.2	50	1717	810	79.04	23.17	7.90	0.50	50.93	143.64
		0.3	75	1567	739	76.02	22.28	7.60	0.48	45.63	128.76
	Low	0.1	25	1602	756	76.74	22.49	7.67	0.48	51.94	147.36
		0.2	50	1429	674	73.14	21.44	7.31	0.46	46.31	130.31
		0.3	75	1231	581	68.79	20.16	6.88	0.43	40.88	115.53
20	High	0.1	25	2129	1005	87.34	25.60	8.73	0.55	66.00	185.82
		0.2	50	1996	942	84.43	24.75	8.44	0.53	60.49	170.29
		0.3	75	1855	875	81.62	23.92	8.16	0.51	55.12	155.19
	Medium	0.1	25	1899	896	82.41	24.16	8.24	0.52	61.50	173.62
		0.2	50	1752	827	79.71	23.36	7.97	0.50	56.24	158.55
		0.3	75	1628	768	77.27	22.65	7.73	0.49	51.36	145.33
	Low	0.1	25	1649	778	77.68	22.77	7.77	0.49	57.34	162.86
		0.2	50	1500	708	74.63	21.88	7.46	0.47	52.07	148.07
		0.3	75	1322	624	70.82	20.76	7.08	0.45	46.61	132.70

Table 11

NOTE:

Data based on 70°F (21°C) air on-coil DBT and 180°F/160°F (82°C/71°C) entering/leaving water temperature.

District Cooling FCU Models



Nominal Capacity Ratings

Models: DCMP & DCME

SIZE	Nominal Air flow	4ROWS			
		Total Capacity	Sensible Capacity	Water Flow Rate	Water Pressure Drop
		MBh kW	MBh kW	Gpm l/s	ftwg kPa
2	200	7.0	5.2	0.9	4.1
	94	2.1	1.5	0.1	12.2
3	300	9.5	7.3	1.2	7.3
	142	2.8	2.1	0.1	21.8
4	400	12.9	9.8	1.6	13.7
	189	3.8	2.9	0.1	40.9
04R	450	14.1	10.8	1.8	16.0
	212	4.1	3.2	0.1	47.8
5	500	17.3	12.7	2.2	10.7
	236	5.1	3.7	0.1	31.8
6	600	21.1	15.3	2.6	16.7
	283	6.2	4.5	0.2	49.8
8	800	26.1	19.5	3.3	26.0
	378	7.7	5.7	0.2	77.7
10	1000	31.0	23.6	3.9	7.3
	472	9.1	6.9	0.2	21.7
12	1200	36.9	28.1	4.6	10.2
	566	10.8	8.2	0.3	30.5
14	1400	44.4	33.5	5.6	9.5
	661	13.0	9.8	0.4	28.4
16	1600	52.1	38.9	6.5	13.9
	755	15.3	11.4	0.4	41.5
18	1800	60.4	44.6	7.6	13.1
	849	17.7	13.1	0.5	39.0
20	2000	64.0	48.1	8.0	14.5
	944	18.8	14.1	0.5	43.4

Table 12

Notes:

Chilled water capacity ratings are based on nominal air flow rate; air entering temperature DB/WB 78°F/65°F (25.5°C/18.3°C), 42°F (5.5°C) entering chilled water temperature and 16°F (8.9°C) water temperature rise.

For conditions other than rated, use SKM FCU Computer Selection Software

SKM Fan Coil Units Chilled Water Standard and District Cooling

Capacity Ratings

SKM Fan Coil Series/Chilled Water- District Cooling

DCMP & DCME - 4 ROWS

Size	Speed	External Static Pressure		50 Hz												60 Hz											
		inwg	Pa	Air Flow Rate		Total Capacity		Sensible Capacity		Water Flow Rate		Water Pressure Drop		Air Flow Rate		Total Capacity		Sensible Capacity		Water Flow Rate		Water Pressure Drop					
				cfm	l/s	MBh	kW	gpm	l/s	ftwg	Kpa	cfm	l/s	MBh	kW	gpm	l/s	ftwg	Kpa								
02	High	0.1	25	247	117	6.59	1.93	5.53	1.62	0.82	0.05	3.63	10.84	236	112	6.42	1.88	5.34	1.57	0.80	0.05	3.46	10.35				
		0.2	50	224	106	6.23	1.83	5.13	1.50	0.78	0.05	3.29	9.83	224	106	6.24	1.83	5.14	1.51	0.78	0.05	3.29	9.84				
		0.3	75	197	93	5.80	1.70	4.66	1.37	0.72	0.05	2.89	8.64	207	98	5.96	1.75	4.84	1.42	0.74	0.05	3.04	9.08				
	Medium	0.1	25	225	106	6.26	1.83	5.15	1.51	0.78	0.05	3.30	9.87	199	98	5.68	1.66	4.54	1.33	0.71	0.04	2.94	8.33				
		0.2	50	204	96	5.92	1.73	4.79	1.40	0.74	0.05	3.00	8.96	173	81	5.35	1.57	4.23	1.23	0.67	0.04	2.51	7.50				
		0.3	75	174	82	5.37	1.58	4.24	1.24	0.67	0.04	2.53	7.56	157	74	5.04	1.48	3.92	1.15	0.63	0.04	2.26	6.76				
	Low	0.1	25	202	95	5.87	1.72	4.74	1.39	0.73	0.05	2.96	8.84	157	74	5.04	1.48	3.92	1.15	0.63	0.04	2.26	6.76				
		0.2	50	179	85	5.48	1.61	4.34	1.27	0.68	0.04	2.62	7.82	144	68	4.78	1.40	3.66	1.07	0.60	0.04	2.06	6.15				
		0.3	75	152	72	4.94	1.45	3.82	1.12	0.62	0.04	2.18	6.52	131	62	4.49	1.32	3.39	0.99	0.56	0.04	1.84	5.51				
	03	High	0.1	25	279	132	7.42	2.17	6.22	1.82	0.93	0.06	4.69	14.02	341	161	8.35	2.45	7.25	2.13	1.04	0.07	5.78	17.28			
			0.2	50	257	121	7.09	2.08	5.86	1.72	0.89	0.06	4.34	12.96	323	152	8.07	2.36	6.95	2.04	1.01	0.06	5.44	16.26			
			0.3	75	224	106	6.57	1.93	5.28	1.55	0.82	0.05	3.79	11.32	304	143	7.78	2.28	6.63	1.94	0.97	0.06	5.10	15.25			
Medium		0.1	25	249	118	6.97	2.04	5.73	1.68	0.87	0.06	4.21	12.58	294	139	7.64	2.24	6.48	1.90	0.96	0.06	4.95	14.78				
		0.2	50	230	109	6.68	1.96	5.40	1.58	0.83	0.05	3.90	11.65	282	133	7.46	2.19	6.28	1.84	0.93	0.06	4.74	14.18				
		0.3	75	197	93	6.11	1.79	4.81	1.41	0.76	0.05	3.33	9.96	264	125	7.20	2.11	5.98	1.75	0.90	0.05	4.45	13.31				
Low		0.1	25	229	108	6.65	1.95	5.37	1.57	0.83	0.05	3.87	11.57	248	117	6.96	2.04	5.71	1.67	0.87	0.05	4.19	12.52				
		0.2	50	213	100	6.38	1.87	5.09	1.49	0.80	0.05	3.60	10.75	233	110	6.71	1.97	5.44	1.59	0.84	0.05	3.93	11.76				
		0.3	75	181	85	5.80	1.70	4.50	1.32	0.72	0.05	3.04	9.08	214	101	6.40	1.88	5.11	1.50	0.80	0.05	3.62	10.82				
04		High	0.1	25	372	175	9.91	2.91	8.26	2.42	1.24	0.08	8.56	25.59	427	201	11.02	3.23	9.26	2.72	1.38	0.09	10.32	30.86			
			0.2	50	343	162	9.44	2.77	7.76	2.27	1.18	0.07	7.86	23.49	404	191	10.52	3.08	8.83	2.59	1.32	0.08	9.51	28.44			
			0.3	75	307	145	8.90	2.61	7.16	2.10	1.11	0.07	7.08	21.17	379	179	10.04	2.94	8.38	2.46	1.26	0.08	8.76	26.18			
	Medium	0.1	25	308	145	8.91	2.61	7.17	2.10	1.11	0.07	7.10	21.22	375	177	9.97	2.92	8.32	2.44	1.25	0.08	8.65	25.87				
		0.2	50	287	136	8.60	2.52	6.83	2.00	1.08	0.07	6.67	19.93	358	169	9.68	2.84	8.02	2.35	1.21	0.08	8.21	24.55				
		0.3	75	255	120	8.07	2.36	6.26	1.84	1.01	0.06	5.95	17.79	334	157	9.31	2.73	7.61	2.23	1.16	0.07	7.66	22.89				
	Low	0.1	25	262	123	8.18	2.40	6.38	1.87	1.02	0.06	6.11	18.26	318	150	9.07	2.66	7.34	2.15	1.13	0.07	7.31	21.86				
		0.2	50	242	114	7.83	2.29	6.02	1.77	0.98	0.06	5.68	16.88	298	141	8.77	2.57	7.01	2.05	1.10	0.07	6.89	20.81				
		0.3	75	215	101	7.29	2.14	5.61	1.61	0.91	0.06	4.98	14.89	273	129	8.38	2.46	6.59	1.93	1.05	0.07	6.37	19.03				
	04R	High	0.1	25	428	202	11.05	3.24	9.28	2.72	1.38	0.09	10.37	30.98	-	-	-	-	-	-	-	-	-	-			
			0.2	50	397	187	10.38	3.04	8.70	2.55	1.30	0.08	9.29	27.77	-	-	-	-	-	-	-	-	-	-			
			0.3	75	361	171	9.73	2.85	8.08	2.37	1.22	0.08	8.29	24.78	-	-	-	-	-	-	-	-	-	-			
Medium		0.1	25	408	192	10.60	3.11	8.90	2.61	1.32	0.08	9.64	28.80	-	-	-	-	-	-	-	-	-	-				
		0.2	50	379	179	10.04	2.94	8.38	2.46	1.26	0.08	8.76	26.19	-	-	-	-	-	-	-	-	-	-				
		0.3	75	345	163	9.48	2.78	7.80	2.29	1.18	0.07	7.91	23.66	-	-	-	-	-	-	-	-	-	-				
Low		0.1	25	365	172	9.79	2.87	8.14	2.38	1.22	0.08	8.38	25.05	-	-	-	-	-	-	-	-	-	-				
		0.2	50	339	160	9.39	2.75	7.70	2.26	1.17	0.07	7.78	23.05	-	-	-	-	-	-	-	-	-	-				
		0.3	75	309	146	8.93	2.62	7.20	2.11	1.12	0.07	7.13	21.31	-	-	-	-	-	-	-	-	-	-				
05		High	0.1	25	527	249	17.03	4.99	12.77	3.74	2.13	0.13	10.37	30.98	580	264	17.60	5.16	13.32	3.90	2.20	0.14	11.00	32.88			
			0.2	50	478	228	16.09	4.70	11.84	3.48	2.00	0.13	9.34	27.74	536	253	17.19	5.04	12.52	3.79	2.15	0.14	10.14	31.49			
			0.3	75	419	198	14.73	4.32	10.76	3.15	1.84	0.12	7.98	23.85	512	242	16.74	4.91	12.51	3.67	2.09	0.13	10.05	30.04			
	Medium	0.1	25	500	236	16.48	4.83	12.28	3.60	2.06	0.13	9.77	29.21	534	245	15.07	4.42	11.05	3.24	1.88	0.12	8.31	24.83				
		0.2	50	458	216	15.60	4.57	11.51	3.37	1.95	0.12	8.85	26.44	420	198	14.77	4.33	10.79	3.16	1.85	0.12	8.01	23.95				
		0.3	75	402	190	14.36	4.21	10.43	3.06	1.79	0.11	7.61	22.75	402	190	14.36	4.21	10.43	3.06	1.79	0.11	7.61	22.76				
	Low	0.1	25	449	212	15.41	4.52	11.34	3.32	1.93	0.12	8.65	25.86	301	142	11.95	3.50	8.40	2.46	1.49	0.09	5.47	16.34				
		0.2	50	419	198	14.73	4.32	10.76	3.15	1.84	0.12	7.98	23.84	292	138	11.71	3.43	8.20	2.40	1.46	0.09	5.27	15.74				
		0.3	75	363	171	13.46	3.95	9.67	2.83	1.68	0.11	6.78	20.26	273	129	11.21	3.28	7.80	2.29	1.40	0.09	4.87	14.55				
	06	High	0.1	25	550	260	17.82	5.22	13.45	3.94	2.23	0.14	12.32	36.83	665	314	19.87	5.82	15.43	4.52	2.48	0.16	14.99	44.82			
			0.2	50	502	237	16.92	4.96	12.59	3.69	2.17	0.13	11.22	33.53	636	300	19.34	5.67	14.93	4.38	2.42	0.15	14.27	42.66			
			0.3	75	453	209	15.77	4.62	11.52	3.38	1.97	0.12	9.88	29.53	600	283	18.71	5.48	14.31	4.19	2.34	0.15	13.45	40.21			
Medium		0.1	25	515	245	17.18	5.03	12.83	3.61	2.15	0.14	11.53	34.63	630	310	18.88	5.63	14.87	4.24	2.36	0.16	14.05	40.85				
		0.2	50	471	222	16.34	4.79	12.05	3.53	2.04	0.13	10.53	31.48	588	277	18.50	5.42	14.11	4.13	2.31	0.15	13.18	39.40				
		0.3	75	410	194	14.98	4.39	10.86	3.18	1.87	0.12	9.01	26.93	558	264	17.98	5.27	13.60	3.99	2.25	0.14	12.51	37.41				
Low		0.1	25	460	217	16.11	4.72	11.84	3.47	2.01	0.13	10.27	30.71	535	252	17.54	5.14	13.18	3.86	2.19	0.14	11.97	35.78				
		0.2	50	420	198	15.22	4.46	11.06	3.24	1.90	0.12	9.27	27.70	506	239	17.00	4.98	12.67	3.71	2.13	0.13	11.32	33.83				
		0.3	75	370	175	13.98	4.10	10.02	2.94	1.75	0.11	7.95	23.77	468	221	16.28	4.77	11.99	3.52	2.04	0.13	10.47	31.29				
08		High	0.1	25	745	352	23.75	6.96	17.86	5.24	2.97	0.19	21.86	65.33	866	409	26.41	7.74	20.09	5.89	3.30	0.21	26.49	79.18			
			0.2	50	669	316	22.24	6.52	16.51	4.84	2.78	0.18	19.41	58.02	818	386	25.39	7.44	19.22	5.63	3.17	0.20	24.66	73.70			
			0.3	75	585	276	20.56	6.03	14.99	4.39	2.57	0.16	16.86	50.39	757	357	24.02	7.04	18.09	5.30	3.00	0.19	22.31	66.69			
	Medium	0.1	25	715	337	23.06	6.76	17.29	5.07	2.88	0.18	20.74	61.98	774	365	24.39	7.15	18.40	5.39	3.05	0.19	22.94	68.57				
		0.2	50	637	301	21.62	6.34	15.94	4.67	2.70	0.17	18.45	55.14	717	338	2											

Capacity Ratings

SKM Fan Coil Series/Chilled Water- District Cooling

DCMP & DCME - 4 ROWS

Size	Speed	External Static Pressure		50 Hz														60 Hz													
		inwg	Pa	Air Flow Rate		Total Capacity		Sensible		Water Flow Rate		Water Pressure		Air Flow Rate		Total Capacity		Sensible		Water Flow Rate		Water Pressure									
				cfm	l/s	MBh	kW	MBh	kW	gpm	l/s	ftwg	Kpa	cfm	l/s	MBh	kW	MBh	kW	gpm	l/s	ftwg	Kpa								
02	High	0.1	25	247	117	5.63	1.65	5.26	1.54	0.70	0.04	2.75	8.21	236	112	5.48	1.61	5.08	1.49	0.69	0.04	2.62	7.83								
		0.2	50	224	106	5.32	1.56	4.87	1.43	0.66	0.04	2.48	7.42	224	106	5.32	1.56	4.88	1.43	0.66	0.04	2.48	7.42								
		0.3	75	197	93	4.93	1.44	4.42	1.29	0.62	0.04	2.17	6.49	207	98	5.07	1.49	4.58	1.34	0.63	0.04	2.29	6.83								
	Medium	0.1	25	225	106	5.33	1.56	4.89	1.43	0.67	0.04	2.49	7.45	190	90	4.82	1.41	4.30	1.26	0.60	0.04	2.09	6.25								
		0.2	50	204	96	5.04	1.48	4.54	1.33	0.63	0.04	2.26	6.74	173	81	4.55	1.33	3.98	1.17	0.57	0.04	1.89	5.64								
		0.3	75	174	82	4.57	1.34	4.00	1.17	0.57	0.04	1.90	5.69	157	74	4.31	1.26	3.71	1.09	0.54	0.03	1.72	5.13								
	Low	0.1	25	202	95	5.00	1.46	4.49	1.32	0.62	0.04	2.22	6.65	157	74	4.31	1.26	3.71	1.09	0.54	0.03	1.72	5.13								
		0.2	50	179	85	4.66	1.36	4.10	1.20	0.58	0.04	1.96	5.87	144	68	4.10	1.20	3.47	1.02	0.51	0.03	1.57	4.70								
		0.3	75	152	72	4.23	1.24	3.62	1.06	0.53	0.03	1.66	4.97	131	62	3.87	1.13	3.21	0.94	0.48	0.03	1.42	4.24								
03	High	0.1	25	279	132	6.32	1.85	5.91	1.73	0.79	0.05	3.53	10.56	341	161	7.12	2.09	6.91	2.02	0.89	0.06	4.36	13.03								
		0.2	50	257	121	6.03	1.77	5.56	1.63	0.75	0.05	3.26	9.74	323	152	6.88	2.02	6.62	1.94	0.86	0.05	4.11	12.27								
		0.3	75	224	106	5.67	1.63	5.00	1.46	0.70	0.04	2.83	8.47	304	143	6.63	1.94	6.31	1.85	0.83	0.05	3.85	11.51								
	Medium	0.1	25	249	118	5.93	1.74	5.43	1.59	0.74	0.05	3.16	9.45	294	139	6.51	1.91	6.16	1.81	0.81	0.05	3.73	11.15								
		0.2	50	230	109	5.67	1.66	5.11	1.50	0.71	0.04	2.92	8.73	282	133	6.36	1.86	5.97	1.75	0.79	0.05	3.58	10.69								
		0.3	75	197	93	5.17	1.52	4.53	1.33	0.65	0.04	2.48	7.42	264	125	6.13	1.80	5.68	1.66	0.77	0.05	3.35	10.02								
	Low	0.1	25	229	108	5.65	1.65	5.08	1.49	0.71	0.04	2.90	8.66	248	117	5.91	1.73	5.41	1.59	0.74	0.05	3.15	9.40								
		0.2	50	213	100	5.41	1.59	4.80	1.41	0.68	0.04	2.69	8.03	233	110	5.70	1.67	5.15	1.51	0.71	0.04	2.95	8.81								
		0.3	75	181	85	4.96	1.44	4.24	1.24	0.61	0.04	2.26	6.75	214	101	5.43	1.58	4.83	1.41	0.68	0.04	2.71	8.14								
04	High	0.1	25	372	175	8.38	2.46	7.82	2.29	1.05	0.07	6.36	19.02	427	201	9.14	2.68	8.71	2.55	1.14	0.07	7.41	22.16								
		0.2	50	343	162	8.00	2.34	7.35	2.15	1.00	0.06	5.87	17.54	404	191	8.81	2.58	8.33	2.44	1.10	0.07	6.95	20.78								
		0.3	75	307	145	7.53	2.21	6.76	1.98	0.94	0.06	5.28	15.77	379	179	8.47	2.48	7.93	2.32	1.06	0.07	6.49	19.40								
	Medium	0.1	25	308	145	7.54	2.21	6.78	1.99	0.94	0.06	5.29	15.81	375	177	8.42	2.47	7.87	2.31	1.05	0.07	6.42	19.20								
		0.2	50	287	136	7.27	2.13	6.44	1.89	0.91	0.06	4.96	14.83	358	169	8.20	2.40	7.60	2.23	1.02	0.06	6.13	18.31								
		0.3	75	255	120	6.81	2.00	5.89	1.73	0.85	0.05	4.42	13.20	334	157	7.88	2.31	7.20	2.11	0.99	0.06	5.71	17.08								
	Low	0.1	25	292	123	6.91	2.03	6.01	1.76	0.86	0.05	4.53	13.56	318	150	7.67	2.25	6.94	2.03	0.96	0.06	5.45	16.30								
		0.2	50	242	114	6.61	1.94	5.66	1.68	0.83	0.04	4.11	12.42	281	141	7.42	2.17	6.62	1.94	0.96	0.06	5.13	15.34								
		0.3	75	215	101	6.15	1.80	5.16	1.51	0.77	0.05	3.69	11.03	273	129	7.08	2.07	6.21	1.82	0.88	0.06	4.73	14.14								
04R	High	0.1	25	428	202	9.15	2.68	8.72	2.56	1.14	0.07	7.44	22.23	-	-	-	-	-	-	-	-	-	-								
		0.2	50	397	187	8.71	2.55	8.22	2.41	1.09	0.07	6.82	20.38	-	-	-	-	-	-	-	-	-	-								
		0.3	75	361	171	8.24	2.41	7.65	2.24	1.03	0.06	6.18	18.47	-	-	-	-	-	-	-	-	-	-								
	Medium	0.1	25	408	192	8.86	2.60	8.39	2.46	1.11	0.07	7.02	20.99	-	-	-	-	-	-	-	-	-	-								
		0.2	50	379	179	8.47	2.48	7.93	2.33	1.06	0.07	6.49	19.41	-	-	-	-	-	-	-	-	-	-								
		0.3	75	345	163	8.03	2.36	7.39	2.17	1.00	0.06	5.91	17.66	-	-	-	-	-	-	-	-	-	-								
	Low	0.1	25	365	172	8.29	2.43	7.70	2.26	1.04	0.07	6.24	18.66	-	-	-	-	-	-	-	-	-	-								
		0.2	50	339	160	7.95	2.33	7.29	2.14	0.99	0.06	5.81	17.36	-	-	-	-	-	-	-	-	-	-								
		0.3	75	309	146	7.56	2.22	6.80	1.99	0.95	0.06	5.31	15.88	-	-	-	-	-	-	-	-	-	-								
05	High	0.1	25	527	249	14.69	4.30	12.11	3.55	1.84	0.12	9.33	23.71	560	264	15.24	4.47	12.66	3.71	1.90	0.12	8.47	25.33								
		0.2	50	478	226	13.81	4.05	11.24	3.29	1.73	0.11	7.09	21.20	536	253	14.84	4.35	12.26	3.59	1.86	0.12	8.08	24.16								
		0.3	75	419	198	12.72	3.73	10.17	2.98	1.59	0.10	6.12	18.29	512	242	14.42	4.23	11.85	3.47	1.80	0.11	7.68	22.94								
	Medium	0.1	25	500	236	14.20	4.16	11.98	3.41	1.84	0.12	7.46	22.31	434	205	13.00	3.81	11.45	3.06	1.62	0.10	6.36	19.02								
		0.2	50	458	216	13.45	3.94	10.89	3.19	1.68	0.11	6.77	20.22	420	198	12.75	3.74	10.20	2.99	1.59	0.10	6.14	18.36								
		0.3	75	402	190	12.40	3.63	9.86	2.89	1.55	0.10	5.84	17.46	402	190	12.40	3.63	9.87	2.89	1.55	0.10	5.84	17.47								
	Low	0.1	25	449	212	13.29	3.89	10.73	3.14	1.66	0.10	6.62	19.78	301	142	10.38	3.04	7.94	2.33	1.30	0.08	4.24	12.68								
		0.2	50	419	198	12.72	3.73	10.17	2.98	1.59	0.10	6.12	18.28	292	138	10.18	2.98	7.75	2.27	1.27	0.08	4.09	12.24								
		0.3	75	363	171	11.64	3.41	9.13	2.68	1.46	0.09	5.22	15.59	273	129	9.76	2.86	7.37	2.16	1.22	0.08	3.80	11.35								
06	High	0.1	25	550	260	15.63	4.58	12.86	3.77	1.95	0.12	9.73	29.08	665	314	17.39	5.10	14.77	4.33	2.17	0.14	11.79	35.24								
		0.2	50	502	237	14.74	4.32	11.98	3.47	1.84	0.12	7.15	26.15	638	300	16.96	4.87	14.30	4.02	2.12	0.13	10.26	33.67								
		0.3	75	443	209	13.61	3.99	10.89	3.19	1.70	0.11	7.58	22.66	600	283	16.42	4.81	13.70	4.02	2.05	0.13	10.63	31.76								
	Medium	0.1	25	515	245	14.99	4.39	12.23	3.58	1.87	0.12	9.02	26.97	609	287	16.56	4.85	13.86	4.06	2.07	0.13	10.79	32.26								
		0.2	50	471	222	14.16	4.15	11.42	3.35	1.77	0.11	8.14	24.33	588	277	16.24	4.72	13.50	3.96	2.03	0.13	10.42	31.14								
		0.3	75	410	194	12.96	3.80	10.27	3.01	1.62	0.10	6.94	20.74	558	264	15.79	4.63	13.01	3.81	1.97	0.12	9.90	29.59								
	Low	0.1	25	460	217	13.94	4.09	11.21	3.29	1.74	0.11	7.91	23.65	535	252	15.35	4.50	12.59	3.69	1.92	0.12	9.42	28.15								
		0.2	50	420	198	13.16	3.86	10.45	3.06	1.64	0.10	7.13	21.31	506	239	14.82	4.34	12.06	3.54	1.85	0.12	8.84	26.42								
		0.3	75	370	175	12.37	3.58	9.42	2.81	1.53	0.09	6.12	18.28	468	221	14.11															

Capacity Ratings

SKM Fan Coil EC Series/Chilled Water- District Cooling

DCMP-EC & DCME-EC - 4 ROWS

Size	Speed	External Static		Air Flow Rate		Total Capacity		Sensible Capacity		Water Flow Rate		Water Pressure Drop	
		inwg	Pa	cfm	l/s	MBh	kW	MBh	kW	gpm	l/s	ftwg	Kpa
02	Maximum	0.1	25	228	108	6.30	1.85	5.21	1.53	0.79	0.05	3.35	10.01
		0.2	50	206	97	5.95	1.74	4.83	1.41	0.74	0.05	3.03	9.05
		0.3	75	181	85	5.51	1.62	4.37	1.28	0.69	0.04	2.64	7.90
	Medium	0.1	25	208	98	5.98	1.75	4.86	1.42	0.75	0.05	3.05	9.12
		0.2	50	188	89	5.63	1.65	4.50	1.32	0.70	0.04	2.75	8.22
		0.3	75	159	75	5.08	1.49	3.95	1.16	0.64	0.04	2.29	6.85
	Minimum	0.1	25	186	88	5.60	1.64	4.46	1.31	0.70	0.04	2.72	8.12
		0.2	50	166	78	5.21	1.53	4.08	1.20	0.65	0.04	2.40	7.16
		0.3	75	140	66	4.68	1.37	3.57	1.05	0.59	0.04	1.98	5.93
03	Maximum	0.1	25	323	153	8.07	2.37	6.95	2.04	1.01	0.06	5.44	16.27
		0.2	50	276	130	7.37	2.16	6.17	1.81	0.92	0.06	4.64	13.87
		0.3	75	216	102	6.44	1.89	5.14	1.51	0.80	0.05	3.65	10.92
	Medium	0.1	25	281	133	7.45	2.18	6.26	1.84	0.93	0.06	4.73	14.14
		0.2	50	222	105	6.54	1.92	5.26	1.54	0.82	0.05	3.76	11.24
		0.3	75	189	89	5.95	1.74	4.65	1.36	0.74	0.05	3.17	9.51
	Minimum	0.1	25	214	101	6.41	1.88	5.12	1.50	0.80	0.05	3.63	10.85
		0.2	50	196	92	6.09	1.78	4.78	1.40	0.76	0.05	3.37	9.85
		0.3	75	170	78	5.57	1.63	4.29	1.26	0.70	0.04	2.83	8.46
04	Maximum	0.1	25	409	193	10.63	3.11	8.92	2.62	1.33	0.08	9.68	28.93
		0.2	50	360	170	9.71	2.84	8.05	2.36	1.21	0.08	8.25	24.66
		0.3	75	297	140	8.75	2.56	6.99	2.05	1.09	0.07	6.87	20.54
	Medium	0.1	25	342	162	9.43	2.77	7.75	2.27	1.18	0.07	7.85	23.46
		0.2	50	288	136	8.61	2.52	6.84	2.00	1.08	0.07	6.68	19.96
		0.3	75	220	104	7.41	2.17	5.61	1.65	0.93	0.06	5.12	15.31
	Minimum	0.1	25	283	134	8.54	2.50	6.76	1.98	1.07	0.07	6.58	19.66
		0.2	50	211	100	7.22	2.12	5.44	1.59	0.90	0.06	4.89	14.63
		0.3	75	180	85	6.47	1.90	4.78	1.40	0.81	0.05	4.04	12.07
05	Maximum	0.1	25	535	252	17.16	5.03	12.90	3.78	2.15	0.14	10.51	31.43
		0.2	50	465	219	15.74	4.61	11.63	3.41	1.97	0.12	8.99	26.88
		0.3	75	375	177	13.75	4.03	9.91	2.91	1.72	0.11	7.04	21.05
	Medium	0.1	25	502	237	16.53	4.84	12.32	3.61	2.07	0.13	9.82	29.35
		0.2	50	384	181	13.94	4.09	10.08	2.95	1.74	0.11	7.22	21.58
		0.3	75	332	157	12.73	3.73	9.05	2.65	1.59	0.10	6.13	18.32
	Minimum	0.1	25	360	170	13.39	3.92	9.60	2.81	1.67	0.11	6.71	20.06
		0.2	50	251	118	10.58	3.10	7.30	2.14	1.32	0.08	4.39	13.13
		0.3	75	207	98	9.29	2.72	6.30	1.85	1.16	0.07	3.48	10.39
06	Maximum	0.1	25	637	301	19.35	5.67	14.94	4.38	2.42	0.15	14.29	42.71
		0.2	50	558	263	17.98	5.27	13.60	3.99	2.25	0.14	12.51	37.40
		0.3	75	459	217	16.10	4.72	11.82	3.46	2.01	0.13	10.25	30.65
	Medium	0.1	25	546	258	17.75	5.20	13.38	3.92	2.22	0.14	12.23	36.55
		0.2	50	458	216	16.08	4.71	11.81	3.46	2.01	0.13	10.24	30.60
		0.3	75	346	163	13.35	3.91	9.51	2.79	1.67	0.11	7.32	21.88
	Minimum	0.1	25	431	203	15.48	4.54	11.27	3.30	1.93	0.12	9.55	28.55
		0.2	50	302	143	12.15	3.56	8.54	2.50	1.52	0.10	6.18	18.46
		0.3	75	255	120	10.77	3.16	7.45	2.19	1.35	0.08	4.97	14.86
08	Maximum	0.1	25	805	380	25.11	7.36	18.99	5.57	3.14	0.20	24.17	72.24
		0.2	50	718	339	23.13	6.78	17.35	5.09	2.89	0.18	20.85	62.31
		0.3	75	608	287	21.04	6.17	15.42	4.52	2.63	0.17	17.57	52.52
	Medium	0.1	25	705	333	22.89	6.71	17.13	5.02	2.86	0.18	20.46	61.16
		0.2	50	601	283	20.88	6.12	15.27	4.48	2.61	0.16	17.33	51.81
		0.3	75	450	212	17.66	5.18	12.42	3.64	2.21	0.14	12.82	38.32
	Minimum	0.1	25	592	279	20.70	6.07	15.11	4.43	2.59	0.16	17.06	51.01
		0.2	50	449	212	17.64	5.17	12.41	3.64	2.21	0.14	12.79	38.24
		0.3	75	384	181	15.98	4.68	11.04	3.24	2.00	0.13	10.70	31.99
10	Maximum	0.1	25	882	416	27.17	7.96	20.84	6.11	3.40	0.21	5.71	17.08
		0.2	50	783	370	25.21	7.39	19.06	5.59	3.15	0.20	4.99	14.90
		0.3	75	663	313	22.74	6.67	16.84	4.94	2.84	0.18	4.13	12.36
	Medium	0.1	25	744	351	24.41	7.15	18.34	5.38	3.05	0.19	4.70	14.05
		0.2	50	634	299	22.13	6.49	16.29	4.77	2.77	0.17	3.93	11.76
		0.3	75	486	229	18.82	5.52	13.38	3.92	2.35	0.15	2.93	8.77
	Minimum	0.1	25	612	289	21.66	6.35	15.87	4.65	2.71	0.17	3.78	11.31
		0.2	50	489	231	18.89	5.54	13.44	3.94	2.36	0.15	2.95	8.83
		0.3	75	414	196	17.02	4.99	11.87	3.48	2.13	0.13	2.44	7.31
12	Maximum	0.1	25	1024	483	33.22	9.74	24.81	7.27	4.15	0.26	8.42	25.16
		0.2	50	939	443	31.46	9.22	23.26	6.82	3.93	0.25	7.62	22.79
		0.3	75	829	391	29.09	8.53	21.21	6.22	3.64	0.23	6.61	19.76
	Medium	0.1	25	916	432	30.98	9.08	22.84	6.70	3.87	0.24	7.41	22.16
		0.2	50	781	369	28.04	8.22	20.29	5.95	3.50	0.22	6.18	18.47
		0.3	75	575	272	23.15	6.79	16.17	4.74	2.89	0.18	4.36	13.05
	Minimum	0.1	25	729	344	26.85	7.87	19.28	5.65	3.36	0.21	5.72	17.08
		0.2	50	568	268	22.97	6.73	16.03	4.70	2.87	0.18	4.30	12.86
		0.3	75	483	228	20.69	6.07	14.19	4.16	2.59	0.16	3.56	10.64
14	Maximum	0.1	25	1128	532	38.35	11.24	28.23	8.27	4.79	0.30	7.28	21.77
		0.2	50	1048	494	36.62	10.73	26.73	7.83	4.58	0.29	6.70	20.01
		0.3	75	957	452	34.61	10.14	24.99	7.32	4.33	0.27	6.04	18.06
	Medium	0.1	25	978	462	35.09	10.28	25.40	7.45	4.39	0.28	6.19	18.52
		0.2	50	818	386	31.38	9.20	22.25	6.52	3.92	0.25	5.06	15.12
		0.3	75	628	296	26.52	7.77	18.26	5.35	3.32	0.21	3.73	11.14
	Minimum	0.1	25	811	383	31.21	9.15	22.10	6.48	3.90	0.25	5.01	14.97
		0.2	50	637	301	26.77	7.85	18.45	5.41	3.35	0.21	3.79	11.33
		0.3	75	541	255	24.04	7.05	16.30	4.78	3.01	0.19	3.12	9.32
16	Maximum	0.1	25	1592	751	53.08	15.56	39.01	11.44	6.63	0.42	14.38	42.97
		0.2	50	1434	677	49.93	14.63	36.22	10.62	6.24	0.39	12.86	38.45
		0.3	75	1267	598	46.63	13.67	33.23	9.74	5.83	0.37	11.36	33.95
	Medium	0.1	25	1348	636	48.26	14.14	34.70	10.17	6.03	0.38	12.09	36.14
		0.2	50	1176	555	44.67	13.09	31.53	9.24	5.58	0.35	10.51	31.40
		0.3	75	959	453	39.13	11.47	27.07	7.93	4.89	0.31	8.26	24.70
	Minimum	0.1	25	1059	500	41.74	12.23	29.16	8.55	5.22	0.33	9.29	27.77
		0.2	50	815	384	35.14	10.30	23.94	7.02	4.39	0.28	6.80	20.32
		0.3	75	693	327	31.49	9.23	21.14	6.20	3.94	0.25	5.57	16.66
18	Maximum	0.1	25	1795	847	61.34	17.98	44.76	13.12	7.67	0.48	13.42	40.13
		0.2	50	1681	793	59.14	17.34	42.76	12.53	7.39	0.47	12.56	37.55
		0.3	75	1561	736	56.77	16.64	40.61	11.90	7.10	0.45	11.66	34.86
	Medium	0.1	25	1634	771	58.23	17.07	41.93	12.29	7.28	0.46	12.21	36.51
		0.2	50	1506	711	55.68	16.32	39.63	11.62	6.96	0.44	11.26	33.65
		0.3	75	1369	646	52.56	15.40	36.99	10.84	6.57	0.41	10.14	30.30
	Minimum	0.1	25	1423	671	53.89	15.80	38.07	11.16	6.74	0.43	10.61	31.71
		0.2	50	1264	597	49.92	14.63	34.85	10.22	6.24	0.39	9.23	27.60
		0.3	75	1084	512	45.15	13.23	31.05	9.10	5.64	0.36	7.70	23.00
20	Maximum	0.1	25	1859	877	62.63	18.36	45.89	13.45	7.83	0.49	13.94	41.68
		0.2	50	1733	818	60.13	17.62						

Capacity Ratings

SKM Fan Coil EC Series/Chilled Water- District Cooling

DCMP-EC & DCME-EC - 4 ROWS

Size	Speed	External Static		Air Flow Rate		Total Capacity		Sensible Capacity		Water Flow Rate		Water Pressure Drop	
		inwg	Pa	cfm	l/s	MBh	kW	MBh	kW	gpm	l/s	ftwg	Kpa
02	Maximum	0.1	25	228	108	5.37	1.53	4.94	1.41	0.67	0.04	2.50	7.10
		0.2	50	206	97	5.06	1.43	4.57	1.30	0.63	0.04	2.30	6.40
		0.3	75	181	85	4.68	1.32	4.13	1.17	0.59	0.04	2.00	5.60
		0.1	25	208	98	5.09	1.44	4.60	1.31	0.64	0.04	2.30	6.50
		0.2	50	188	88	4.79	1.35	4.25	1.20	0.60	0.04	2.10	5.80
		0.3	75	159	74	4.34	1.23	3.74	1.06	0.54	0.03	1.70	4.90
	Minimum	0.1	25	186	88	4.76	1.35	4.22	1.20	0.59	0.04	2.00	5.70
		0.2	50	166	76	4.44	1.26	3.86	1.10	0.56	0.03	1.80	5.10
		0.3	75	140	66	4.03	1.14	3.38	0.96	0.50	0.03	1.50	4.30
		0.1	25	323	152	6.88	1.95	6.32	1.88	0.86	0.05	4.10	11.50
		0.2	50	276	130	6.28	1.78	5.86	1.67	0.78	0.05	3.50	9.80
		0.3	75	216	101	5.46	1.54	4.86	1.38	0.68	0.04	2.70	7.60
03	Maximum	0.1	25	281	133	6.35	1.80	5.95	1.69	0.79	0.05	3.60	10.00
		0.2	50	222	105	5.55	1.57	4.97	1.41	0.69	0.04	2.80	7.90
		0.3	75	189	87	5.03	1.41	4.38	1.23	0.63	0.04	2.40	6.50
		0.1	25	214	101	5.44	1.54	4.84	1.38	0.68	0.04	2.70	7.60
		0.2	50	196	92	5.15	1.46	4.51	1.28	0.64	0.04	2.50	6.90
		0.3	75	170	80	4.72	1.34	4.03	1.14	0.59	0.04	2.10	5.90
	Minimum	0.1	25	409	193	8.88	2.51	8.41	2.39	1.11	0.07	7.00	19.80
		0.2	50	360	169	8.22	2.32	7.62	2.16	1.03	0.06	6.20	17.20
		0.3	75	297	140	7.40	2.09	6.60	1.87	0.93	0.06	5.10	14.30
		0.1	25	342	162	7.99	2.26	7.34	2.09	1.00	0.06	5.90	16.50
		0.2	50	288	136	7.28	2.06	6.45	1.83	0.91	0.06	5.00	13.90
		0.3	75	220	104	6.25	1.77	5.26	1.50	0.78	0.05	3.80	10.70
04	Maximum	0.1	25	283	134	7.21	2.04	6.37	1.81	0.90	0.05	4.90	13.70
		0.2	50	211	99	6.09	1.72	5.10	1.44	0.76	0.05	3.60	10.10
		0.3	75	180	84	5.46	1.54	4.47	1.27	0.68	0.04	3.40	8.40
		0.1	25	535	252	14.82	4.21	12.24	3.49	1.85	0.11	8.10	23.80
		0.2	50	465	220	13.57	3.86	11.01	3.14	1.70	0.10	6.90	19.40
		0.3	75	375	177	11.89	3.38	9.37	2.67	1.49	0.09	5.40	15.30
	Medium	0.1	25	502	237	14.24	4.04	11.67	3.32	1.78	0.11	7.50	21.10
		0.2	50	384	181	12.05	3.42	9.52	2.71	1.51	0.09	5.50	15.60
		0.3	75	332	157	11.03	3.14	8.55	2.43	1.38	0.08	4.70	13.40
		0.1	25	360	170	11.58	3.30	9.07	2.59	1.45	0.09	5.20	14.60
		0.2	50	251	118	9.24	2.64	6.90	1.97	1.15	0.07	3.40	9.80
		0.3	75	207	98	8.08	2.30	5.93	1.69	1.01	0.06	2.70	7.60
05	Maximum	0.1	25	637	301	16.97	4.84	14.31	4.08	2.12	0.13	11.30	32.00
		0.2	50	558	263	15.79	4.48	13.01	3.70	1.97	0.12	9.90	27.90
		0.3	75	459	216	13.92	3.96	11.19	3.19	1.74	0.11	7.90	22.30
		0.1	25	546	257	15.56	4.42	12.79	3.64	1.94	0.12	9.60	27.20
		0.2	50	458	216	13.91	3.95	11.18	3.18	1.74	0.11	7.90	22.20
		0.3	75	346	163	11.59	3.30	8.99	2.56	1.45	0.09	5.70	16.10
	Minimum	0.1	25	431	203	13.37	3.80	10.66	3.04	1.67	0.10	7.30	20.70
		0.2	50	302	143	10.58	3.02	8.08	2.31	1.32	0.08	4.80	13.70
		0.3	75	255	120	9.43	2.69	7.06	2.02	1.18	0.07	3.90	11.10
		0.1	25	805	380	21.83	6.21	18.09	5.16	2.73	0.17	18.80	53.10
		0.2	50	718	339	20.27	5.78	16.57	4.73	2.53	0.16	16.40	46.60
		0.3	75	608	287	18.48	5.27	14.22	4.20	2.31	0.14	13.90	39.50
06	Maximum	0.1	25	705	333	20.06	5.72	16.36	4.67	2.51	0.15	16.10	45.80
		0.2	50	601	283	18.35	5.23	14.58	4.16	2.29	0.14	13.70	39.00
		0.3	75	450	212	15.41	4.38	11.77	3.35	1.93	0.12	10.00	28.30
		0.1	25	592	279	18.20	5.19	14.43	4.12	2.27	0.14	13.50	38.50
		0.2	50	449	211	15.39	4.37	11.75	3.34	1.92	0.12	10.00	28.20
		0.3	75	384	181	13.86	3.94	10.41	2.96	1.73	0.11	8.30	23.40
	Medium	0.1	25	882	416	23.40	6.64	19.78	5.63	2.92	0.18	4.40	12.20
		0.2	50	783	369	21.69	6.16	18.06	5.14	2.71	0.17	3.80	10.70
		0.3	75	663	313	19.67	5.59	15.96	4.55	2.46	0.15	3.20	9.00
		0.1	25	744	351	21.04	5.98	17.38	4.95	2.63	0.16	3.60	10.10
		0.2	50	634	299	19.16	5.45	15.43	4.40	2.39	0.15	3.00	8.60
		0.3	75	486	229	16.31	4.61	12.64	3.59	2.04	0.12	2.30	6.30
08	Maximum	0.1	25	612	289	18.77	5.34	15.04	4.29	2.35	0.14	2.90	8.30
		0.2	50	489	231	16.38	4.64	12.70	3.61	2.05	0.12	2.30	6.40
		0.3	75	414	196	14.47	4.10	11.06	3.15	1.81	0.11	1.80	5.10
		0.1	25	1024	483	28.67	8.15	23.52	6.70	3.58	0.22	6.40	18.10
		0.2	50	839	403	27.14	7.71	22.03	6.27	3.39	0.21	5.80	16.40
		0.3	75	829	391	25.09	7.13	20.04	5.71	3.14	0.19	5.10	14.20
	Medium	0.1	25	916	432	26.73	7.59	21.62	6.15	3.34	0.20	5.70	16.00
		0.2	50	781	369	24.19	6.88	19.17	5.46	3.02	0.18	4.70	13.30
		0.3	75	575	271	20.12	5.73	15.27	4.35	2.51	0.15	3.40	9.60
		0.1	25	729	344	23.20	6.60	18.20	5.19	2.90	0.18	4.40	12.40
		0.2	50	568	268	19.97	5.69	15.14	4.32	2.50	0.15	3.30	9.50
		0.3	75	483	228	18.06	5.15	13.40	3.83	2.26	0.14	2.80	7.90
10	Maximum	0.1	25	1128	532	33.09	9.40	26.71	7.61	4.14	0.25	5.60	15.70
		0.2	50	1048	494	31.58	8.97	25.27	7.19	3.95	0.24	5.10	14.40
		0.3	75	957	451	29.87	8.49	23.60	6.72	3.73	0.23	4.60	13.00
		0.1	25	978	462	30.27	8.61	24.00	6.84	3.78	0.23	4.70	13.40
		0.2	50	818	386	27.18	7.73	21.01	5.98	3.40	0.21	3.90	11.00
		0.3	75	628	296	23.13	6.59	17.24	4.92	2.89	0.18	2.90	8.20
	Minimum	0.1	25	811	383	27.04	7.70	20.87	5.95	3.38	0.21	3.90	10.90
		0.2	50	637	300	23.34	6.65	17.43	4.97	2.92	0.18	3.00	8.40
		0.3	75	541	255	20.84	5.91	15.32	4.36	2.61	0.16	2.40	6.80
		0.1	25	1592	751	46.37	13.21	37.17	10.60	5.80	0.35	11.20	31.80
		0.2	50	1434	677	43.60	12.39	34.45	9.81	5.45	0.33	10.10	28.30
		0.3	75	1267	597	40.32	11.45	31.38	8.94	5.04	0.31	8.70	24.60
12	Maximum	0.1	25	1348	636	41.94	11.91	32.89	9.37	5.24	0.32	9.40	26.40
		0.2	50	1176	555	38.48	10.94	29.68	8.46	4.81	0.29	8.00	22.60
		0.3	75	959	452	33.87	9.63	25.48	7.26	4.23	0.26	6.40	18.00
		0.1	25	1059	500	36.04	10.25	27.45	7.82	4.51	0.28	7.10	20.10
		0.2	50	815	384	30.52	8.69	22.53	6.43	3.81	0.23	5.30	14.90
		0.3	75	693	327	27.46	7.83	19.91	5.68	3.43	0.21	4.40	12.30
	Medium	0.1	25	1795	847	53.71	15.25	42.65	12.15	6.71	0.41	10.50	29.70
		0.2	50	1681	793	51.56	14.64	40.62	11.56	6.44	0.39	9.80	27.60
		0.3	75	1561	736	49.20	13.97	38.41	10.94	6.15	0.38	9.00	25.30
		0.1	25	1634	771	50.65	14.38	39.77	11.32	6.33	0.39	9.50	26.70
		0.2	50	1506	711	48.11	13.67	37.41	10.65	6.01	0.37	8.60	24.30
		0.3	75	1369	646	45.31	12.88	34.82	9.92	5.66	0.35	7.70	21.80
14	Maximum	0.1	25	1423	671	46.42	13.19	35.84	10.21	5.80	0.35	8.10	22.80
		0.2	50	1264	597	43.10	12.26	32.81	9.35	5.39	0.33	7.10	20.00
		0.3	75	1084	511	39.12	11.13	29.23	8.33	4.89	0.30	5.90	16.80
		0.1	25	1859	877	54.80	15.58	43.74	12.46	6.85	0.42	10.90	30.90
		0.2	50	1733	817	52.54	14.92	41.54	11.83	6.57	0.40	10.10	28.50
		0.3	75	1624	757	50.07	14.23	39.23	11.17	6.26	0.38	9.30	26.20
	Medium	0.1	25	1674	790	51.42	14.60	40.49	11.53	6.43	0.39	9.70	27.40
		0.2											

Acoustics

Sound Power Level for DMP & DCMP

Model	Fan Speed	50 Hz								60 Hz							
		Octave Band Frequency (Hz)							Total (dBA)	Octave Band Frequency (Hz)							Total (dBA)
		125	250	500	1000	2000	4000	8000		125	250	500	1000	2000	4000	8000	
02	High	49.6	49.3	51.3	49.5	48.0	43.1	34.8	56.9	48.9	48.1	48.9	45.6	44.7	39.9	32.2	54.7
	Medium	48.0	47.8	48.9	45.8	44.9	40.4	33.0	54.5	47.6	46.7	47.4	44.0	43.0	38.1	30.3	53.3
	Low	47.8	46.9	47.6	44.2	43.2	38.3	30.5	53.5	46.9	46.0	46.7	43.3	42.3	37.4	29.6	52.6
03	High	50.6	51.3	52.5	50.5	49.5	45.4	37.7	58.3	45.7	52.2	53.1	51.3	49.9	45.4	36.8	58.3
	Medium	49.1	50.0	50.3	47.3	46.9	43.2	36.0	56.2	45.3	51.8	52.6	50.8	49.4	45.0	36.3	57.9
	Low	48.1	47.7	48.4	45.2	44.1	39.2	31.4	54.2	44.4	50.9	51.8	50.0	48.6	44.1	35.5	57.0
04	High	53.6	56.9	56.0	53.2	53.8	52.0	45.7	62.5	46.3	52.8	53.7	51.9	50.5	46.0	37.4	58.9
	Medium	51.6	54.5	53.5	50.4	51.0	48.8	42.2	59.9	46.1	52.6	53.5	51.7	50.3	45.8	37.2	58.7
	Low	49.7	52.0	50.8	47.5	48.0	45.5	37.7	57.2	45.5	52.0	52.8	51.0	49.6	45.2	36.5	58.1
04R	High	52.4	56.8	56.8	53.9	54.1	51.7	44.7	62.6	-	-	-	-	-	-	-	-
	Medium	50.0	54.2	54.5	51.3	51.3	48.3	40.4	60.0	-	-	-	-	-	-	-	-
	Low	48.6	51.8	52.2	48.4	48.1	44.4	35.1	57.4	-	-	-	-	-	-	-	-
05	High	50.1	56.8	58.4	55.5	54.8	51.1	42.8	63.2	47.5	54.0	54.8	53.0	51.6	47.2	38.5	60.1
	Medium	48.7	54.0	55.7	52.5	51.6	47.6	38.5	60.3	46.5	53.0	53.8	52.1	50.6	46.2	37.6	59.1
	Low	48.1	51.8	53.4	49.3	48.3	43.5	32.9	57.8	45.5	52.0	52.8	51.0	49.6	45.2	36.5	58.1
06	High	55.6	56.9	56.8	55.9	55.3	52.1	45.8	63.6	48.8	55.6	56.8	54.9	53.6	49.8	41.5	61.9
	Medium	58.5	55.7	55.8	54.8	54.1	50.7	44.3	63.4	48.0	54.5	55.4	53.6	52.2	47.7	39.1	60.6
	Low	58.0	54.6	54.7	53.3	52.5	49.1	42.6	62.3	47.2	53.7	54.5	52.7	51.3	46.9	38.2	59.8
08	High	51.0	57.5	58.8	56.7	55.6	51.9	43.9	63.9	50.0	56.6	57.9	58.0	56.9	53.0	45.4	64.0
	Medium	50.6	57.4	58.6	56.7	55.4	51.6	43.3	63.7	49.8	56.4	57.7	57.8	56.7	52.8	45.2	63.8
	Low	49.9	56.4	57.3	55.5	54.1	49.6	41.0	62.5	47.9	54.4	55.3	53.5	52.1	47.6	39.0	60.5
10	High	53.3	61.6	60.6	60.8	59.7	56.6	48.8	67.4	50.4	57.0	58.3	58.4	57.3	53.4	45.8	64.4
	Medium	51.9	59.4	58.3	58.6	57.3	54.1	45.7	65.2	50.0	56.6	57.9	58.0	56.8	52.9	45.4	64.0
	Low	51.5	57.3	56.2	56.1	54.8	50.6	40.8	62.9	48.1	54.6	55.5	53.7	52.3	47.8	39.2	60.7
12	High	54.1	60.8	61.0	61.2	60.4	57.1	49.0	67.6	52.8	59.1	60.5	60.9	59.9	56.1	49.1	66.8
	Medium	51.6	58.7	59.1	59.0	58.4	54.6	45.7	65.5	50.7	57.3	58.5	58.7	57.5	53.6	46.1	64.7
	Low	50.6	57.1	56.6	56.4	55.6	50.9	40.8	63.0	49.9	56.4	57.7	57.9	56.7	52.8	45.3	63.9
14	High	54.0	60.3	61.7	62.1	61.0	57.3	50.3	68.0	51.7	59.1	59.9	61.5	60.3	57.4	50.5	67.1
	Medium	51.7	58.3	59.6	59.7	58.5	54.6	47.1	65.7	50.7	57.3	58.6	58.7	57.5	53.6	46.1	64.7
	Low	50.5	56.8	56.8	56.8	55.8	51.1	42.7	63.2	49.9	56.5	57.8	57.9	56.8	52.9	45.3	63.9
16	High	56.2	62.6	62.9	62.8	61.9	59.6	51.7	69.4	53.3	60.2	61.1	62.8	61.4	58.7	51.9	68.3
	Medium	53.6	61.0	61.3	61.3	60.2	57.7	49.4	67.7	51.9	59.2	60.0	61.7	60.4	57.6	50.6	67.2
	Low	52.4	57.8	58.1	57.6	56.2	53.0	43.6	64.2	50.7	57.2	58.5	58.7	57.5	53.6	46.1	64.7
18	High	55.4	61.7	62.5	63.8	62.4	59.7	52.7	69.5	54.7	61.1	61.9	63.4	62.0	59.1	52.3	69.0
	Medium	53.5	60.5	61.2	62.4	61.2	58.5	51.2	68.2	52.0	59.3	60.1	61.8	60.5	57.7	50.8	67.3
	Low	52.0	58.5	59.0	59.4	58.1	55.0	46.6	65.5	50.7	57.2	58.5	58.7	57.5	53.6	46.1	64.7
20	High	55.5	61.8	62.6	64.2	62.7	59.9	53.2	69.7	56.8	63.3	64.2	65.8	64.5	61.7	55.0	71.4
	Medium	53.5	60.4	61.2	62.9	61.5	58.8	52.0	68.4	54.8	61.2	62.0	63.5	62.1	59.2	52.4	69.1
	Low	52.1	59.5	60.3	61.9	60.7	57.8	50.9	67.5	52.1	59.4	60.2	61.9	60.6	57.8	50.8	67.4

Table 17

- 1- Sound data ± 2 dB.
- 2- Standard: Rated according to EN 16583 and ANSI/AHRI 260 standards.
- 3- Sound power data at nominal ambient conditions and without water flow.
- 4- Sound data based on standard unit component: single skin, 12 mm closed cell poly foam insulation, 4 rows and 1" aluminum filter. Sound data will vary with any change in construction.
- 5- Sound data based on 50 Pa external static pressure.

Acoustics

Sound Power Level for DMP-EC & DCMP-EC Models

Model	Fan Speed	Octave Band Frequency (Hz)							Total (dBA)
		125	250	500	1000	2000	4000	8000	
02	Maximum	35.5	35.9	41.0	43.3	35.8	26.2	21.3	46.6
	Medium	35.1	35.5	40.6	42.9	35.4	25.8	20.9	46.2
	Minimum	34.8	35.2	40.3	42.6	35.1	25.5	20.6	45.9
03	Maximum	31.3	42.8	43.0	44.5	41.0	33.0	27.1	49.3
	Medium	36.3	36.7	41.8	44.1	36.6	27.0	22.1	47.4
	Minimum	35.3	35.7	40.8	43.1	35.6	26.0	21.1	46.4
04	Maximum	33.1	44.6	44.8	46.3	42.8	34.8	28.9	51.1
	Medium	31.6	43.1	43.3	44.8	41.3	33.3	27.4	49.5
	Minimum	35.6	36.0	41.1	43.4	35.9	26.3	21.4	46.7
05	Maximum	35.8	47.3	47.5	49.0	45.5	37.5	31.6	53.7
	Medium	34.0	45.5	45.7	47.2	43.7	35.7	29.8	51.9
	Minimum	37.1	37.5	42.6	44.9	37.4	27.8	22.9	48.2
06	Maximum	44.1	44.5	49.6	51.9	44.4	34.8	29.9	55.2
	Medium	35.6	47.1	47.3	48.8	45.3	37.3	31.4	53.5
	Minimum	32.5	44.0	44.2	45.7	42.2	34.2	28.3	50.4
08	Maximum	45.7	46.1	51.2	53.5	46.0	36.4	31.5	56.8
	Medium	44.7	45.1	50.2	52.5	45.0	35.4	30.5	55.8
	Minimum	34.9	46.4	46.6	48.1	44.6	36.6	30.7	52.8
10	Maximum	46.4	46.8	51.9	54.2	46.7	37.1	32.2	57.5
	Medium	45.0	45.4	50.5	52.8	45.3	35.7	30.8	56.1
	Minimum	36.3	47.8	48.0	49.5	46.0	38.0	32.1	54.2
12	Maximum	47.6	47.9	53.0	55.3	47.8	38.2	33.3	58.6
	Medium	46.2	46.6	51.7	54.0	46.5	36.9	32.0	57.3
	Minimum	44.2	44.6	49.7	52.0	44.5	34.9	30.0	55.3
14	Maximum	48.0	48.3	53.4	55.7	48.2	38.6	33.7	59.0
	Medium	46.7	47.1	52.2	54.5	47.0	37.4	32.5	57.8
	Minimum	45.1	45.5	50.6	52.9	45.4	35.8	30.9	56.2
16	Maximum	49.1	49.4	54.5	56.8	49.3	39.7	34.8	60.1
	Medium	48.5	48.8	53.9	56.2	48.7	39.1	34.2	59.5
	Minimum	46.6	47.0	52.1	54.4	46.9	37.3	32.4	57.7
18	Maximum	49.9	50.2	55.3	57.6	50.1	40.5	35.6	60.9
	Medium	49.4	49.7	54.8	57.1	49.6	40.0	35.1	60.4
	Minimum	48.6	48.9	54.0	56.3	48.8	39.2	34.3	59.7
20	Maximum	50.1	50.4	55.5	57.8	50.3	40.7	35.8	61.1
	Medium	49.7	50.0	55.1	57.4	49.9	40.3	35.4	60.7
	Minimum	48.8	49.1	54.2	56.5	49.0	39.4	34.5	59.9

Table 18

- 1- Sound data \pm 2 dB.
- 2- Standard: Rated according to EN 16583 and ANSI/AHRI 260 standards.
- 3- Sound power data at nominal ambient conditions and without water flow.
- 4- Sound data based on standard unit component: single skin, 12 mm closed cell poly foam insulation, 4 rows and 1" aluminum filter. Sound data will vary with any change in construction.
- 5- Sound data based on 50 Pa external static pressure.

Control System Description

Control System Operation

- CP-1:

Two pipe system with valve cycled cooling only.

Thermostat cycles an electric 2-way or 3-way motorized valve according to the set point. The fan runs as per the setting of fan mode (Hi-Med-Low-Auto).

- CP-2:

Two pipe system with total electric heat

The thermostat opens an electric 2-way or 3-way motorized valve on cooling coil or switches on the electric heater for heating depending on which is required to satisfy the thermostat setting. Heat/cool selection and fan speed selection is from the thermostat.

When ordering Code CP-2 and the electric heater option FEH, the auto high temperature cut out is provided as standard.

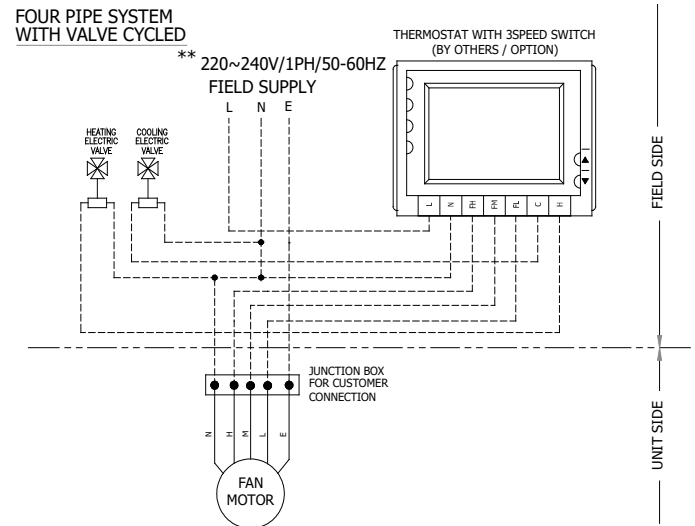
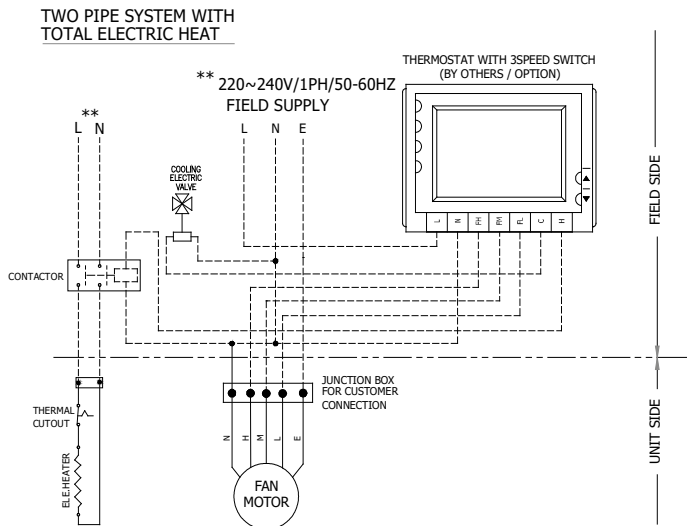
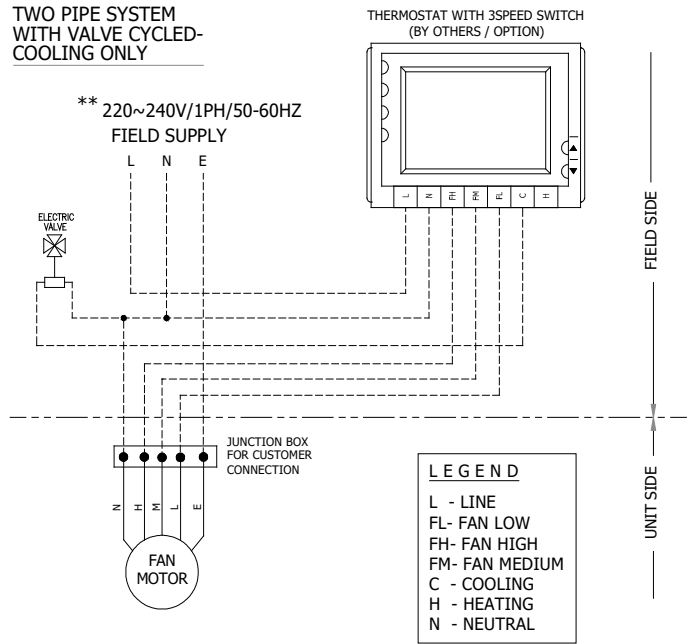
- CP-3:

Four pipe system with valve cycled

The thermostat cycles 2 or 3-way motorized hot or chilled water valves to maintain desired room temperature. The thermostat with manual Heat- Cool selection prevents recycling.

The fan runs as per the setting of fan mode (Hi-Med-Low-Auto).

* Not applicable for district cooling



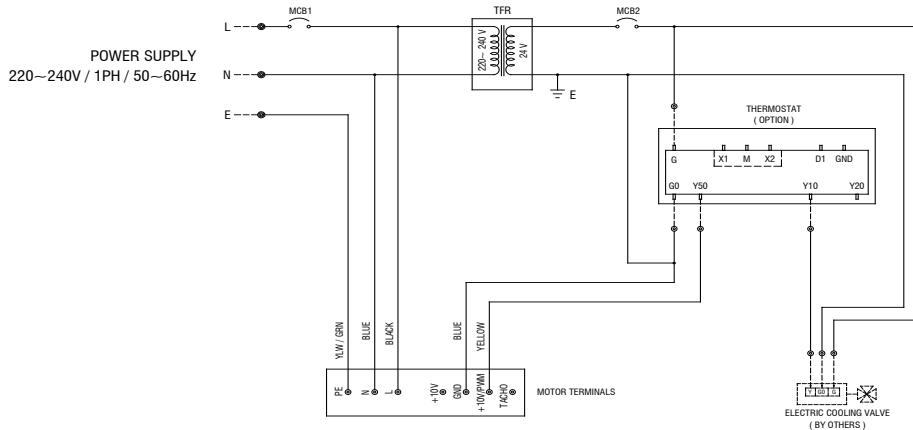
Control System Description

Control System Operation[ECM]

- MP-1: 2-Pipe System with modulating valve

Thermostat modulates an electric 2-way or 3-Way motorized chilled water valve according to set point.

The fan runs between minimum and maximum speed set in the thermostat and according to the cooling demand.

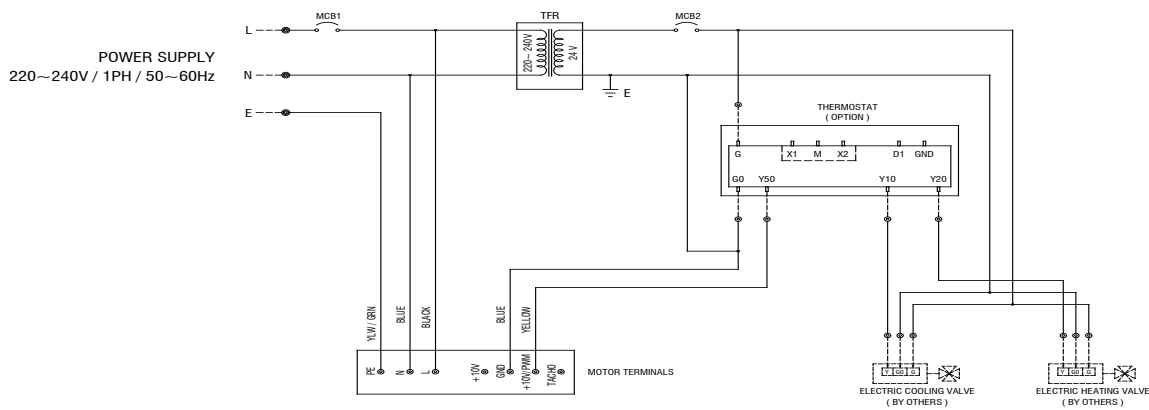


Notes:

Above wiring diagram from factory is provided only if [ECMT] option is ordered, or else all the required signals and controls (including 0-10V DC signals for ECMT fan) to be provided at site by others.

- MP-2: 4-Pipe System with modulating valve

Thermostat modulates an electric 2-way or 3-Way motorized hot or chilled water valve to maintain the desired temperature. The fan runs between minimum and maximum speed set in the thermostat and according to the cooling demand.



Notes:

Above wiring diagram from factory is provided only if [ECMT] option is ordered, or else all the required signals and controls (including 0-10V DC signals for ECMT fan) to be provided at site by others.

Selection

Selection Considerations

In selecting SKM Fan Coil units for a specific application, the factors to be considered should include:

- Available space for the unit including floor to ceiling height.
- Type of application (Standard / District cooling)
- Presence of high sensible or peripheral loads in space.
- Functionality of intended space usage.
- Availability of access for pipes, drains & power.
- Compatibility with intended space finish.
- Fresh air and ventilation requirements.
- Noise level desired at peak or part load operations.
- Control system desired especially if winter heating is required.
- Economy of layout.

Once a particular model or models in the Fan coil series is selected after consideration of the above factors, it is necessary to select the unit and coil size to match. It is possible to obtain different unit size with or without different coil depths to meet given design parameters.

The correct unit with correct coil size is obtained only when required cfm at defined speed; i.e. High, Medium or Low to meet sensible load of the space is matched to the correct coil providing the required sensible cooling or outlet temperature at given flow rate and design temperature rise with the unit operating at functional sound levels. To achieve this, the engineer or designer must not only check aesthetic needs but also space limitations, psychrometric feasibility, circulation and ventilation, room acoustical effect, control system, piping accesses including overall chilled water circuits and effect of diversity on same.

Selection Procedure

It is recommend to use SKM selection software. If it is not suitable, then follow the procedure below :

1. Select unit that delivers approximately airflow required at desired speed and external static pressure from airflow rate tables. Select unit with airflow equal or more than the requirement.
2. Apply correction factors to selected unit and find out the actual total and sensible cooling capacity.
3. Repeat step 1 if required parameter is not achieved with actual values obtained from initially selected unit.

Control Packages

SKM provides a variety of control options, a few of which are mentioned below. Please consult SKM sales department for other control applications. Thermostat for Heat-Cool auto changeover must be field supplied and field installed by others, if necessary.

Control System

The control systems for SKM FCUs can be selected provided the application is identified for :

- Cooling/Heating.
- Cooling or Heating.

The control system can be:

- 2-pipe with valve cycled (Code CPI)
- 2-pipe with total electric heat (Code CP2)
- 4-pipe with valve cycled (Code CP3).
- 2-pipe with modulating valve (Code MP1)*
- 4-pipe with modulating valve (Code MP2)*

*Applicable with [ECM] option.

Control valves in the control system are available in 2-way and 3-way motorized versions with compression ends for easy field installation and replacement.

Location of the Thermostat determines need for a remote or unit mounted control.

For remote mounting, option available is:

Wall mounting Digital thermostat with cooling/heating selection and fan speed selection (Code RTH1).

For unit mounting, option available is:

Unit mounting Digital thermostat with cooling/heating selection, fan speed selection and external sensor (Code UTH1).

Valve Packages

SKM offers a wide variety of optional valve packages (Type 1 to Type 8 shown below) that can suit practically any application.

Any one of the following options may be chosen, considering application requirements:

1. Factory furnished and installed as a complete package. Specify Type number.
2. Furnished by the factory and field installed by the customer. Add prefix C to the valve package type; e.g. Type C1.

Specify your valve package requirements from the full line of accessories as follows :

- Ball valve
- Globe or balancing valve
- 3-way motorized valve, electric
- 2-way motorized valve, electric

The type nos. are as corresponding to those shown in Fig.1. Combinations available can be selected as standard.

Combinations and/or requirements not covered in Figure 6, Types 1 to 8, may be available and should be referred to factory for selection.

Ordering & Selection Procedure

To correctly order the desired valve package and/or control package as a complete integrated control system, the following procedure should be adopted.

1. Select desired valve package. Type 1 to Type 8.
2. Decide to have same factory installed. Add prefix C to Type (eg. Type C1) if to be supplied only by SKM for field installation.
3. Select desired control package Code CP1 to CP3.
4. Select remote mounted or unit mounted thermostat.
5. Complete ordering code option 3CP2RTH1 shall provide a factory installed valve package with a 2 way electric motorized valve plus Ball valve, for the supply and return lines as shown in Type 3, Figure 6.

The control system is for a 2 pipe installation total electric heating (option FEH1 or FEH2 should ordered as from Table 1 Page 5).

The control system is complete with a wall mounted digital cooling/heating thermostat with 3 speed switch and manual Heat-Off-Cool changeover switch.

Valve Packages

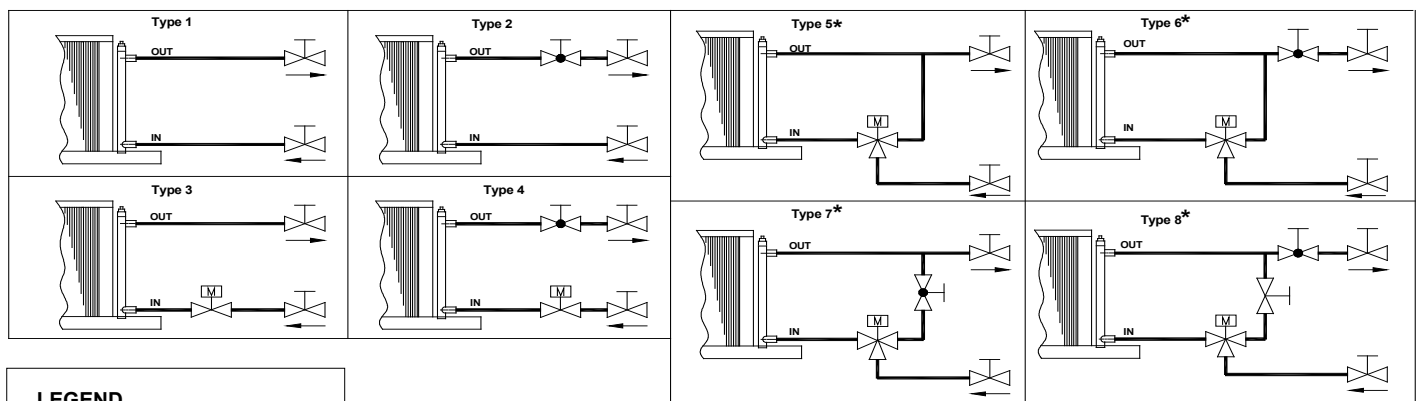
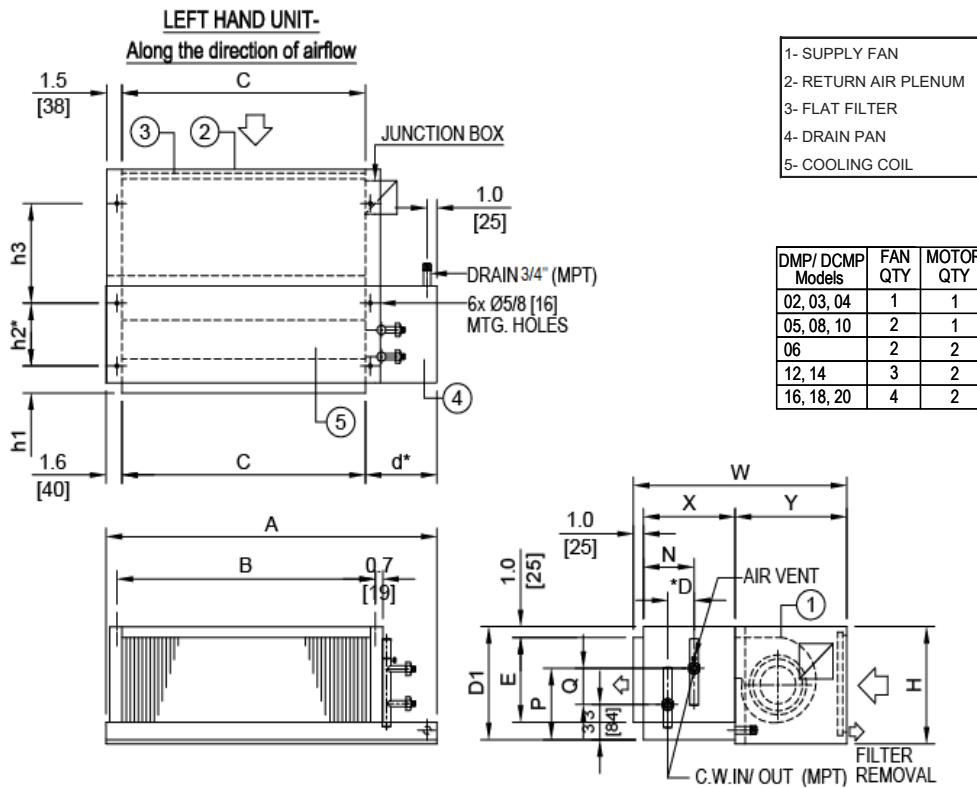


Figure 1

Dimensional Data DMP - DMP EC & DCMP - DCMP EC Models



Coil In/ Out connection					
CW			HW		
DMP	In/Out sizes	DCMP	In/Out sizes	DMP	In/Out sizes
02 to 04	1/2"	02 to 08	1/2"	02 to 04	1/2"
05 to 08	3/4"	10 to 16	3/4"	05 to 08	3/4"
10 to 16	1"	18 to 20	1"	10 to 20	1"
18 to 20	1 1/4"				

Rows	D*
3R	44 mm
4R	66 mm

d*	Standard drain pan length (180mm)
EDP1	Extended drain pan length (100mm)
EDP2	Extended drain pan length (200mm)
DCFR	Ducted Return application with Filter removal from Bottom OR Side
HW	Hot Water Coil
HTR	Electric Heater

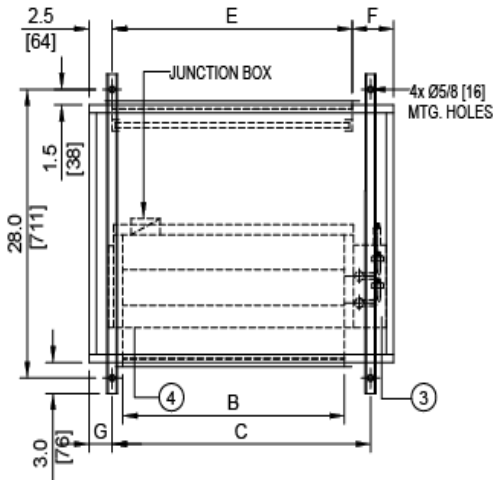
DMP / DCMP	A					B	C	W				X		Y	d*			N		F	D1	E	H	P	Q
	STD	EDP1	EDP2	STD	DCFR			HW* / HTR*	DCFR+HW* / HTR*	STD	HW* / HTR*	STD	EDP1		EDP2	STD	HTR								
2	26.8	30.7	34.6	19.5	18.0	21.1	24.1	23.0	26.0	9.1	11.0	11.0	7.1	11.0	15.0	5.0	7.0	8.0	10.6	8.0	11.0	6.7	3.4		
	680	780	880	495	460	535	611	585	661	230	280	280	180	280	380	127	177	203	270	203	280	171	87		
3	28.7	32.7	36.6	21.5	20.0	21.1	24.1	23.0	26.0	9.1	11.0	11.0	7.1	11.0	15.0	5.0	7.0	8.0	10.6	8.0	11.0	6.7	3.4		
	730	830	930	546	510	535	611	585	661	230	280	280	180	280	380	127	177	203	270	203	280	171	87		
4	32.7	36.6	40.5	25.5	24.0	21.1	24.1	23.0	26.0	9.1	11.0	11.0	7.1	11.0	15.0	5.0	7.0	8.0	10.6	8.0	11.0	6.7	3.4		
	830	930	1030	648	610	535	611	585	661	230	280	280	180	280	380	127	177	203	270	203	280	171	87		
5	38.6	42.5	46.5	31.5	30.0	21.1	24.1	23.0	26.0	9.1	11.0	11.0	7.1	11.0	15.0	5.0	7.0	8.0	10.6	8.0	11.0	6.7	3.4		
	980	1080	1180	800	760	535	611	585	661	230	280	280	180	280	380	127	177	203	270	203	280	171	87		
6	44.7	48.6	52.6	37.5	36.0	21.1	24.1	23.0	26.0	9.1	11.0	11.0	7.1	11.0	15.0	5.0	7.0	8.0	10.6	8.0	11.0	6.7	3.4		
	1135	1235	1335	952	915	535	611	585	661	230	280	280	180	280	380	127	177	203	270	203	280	171	87		
8	48.8	52.8	56.7	41.5	40.0	21.1	24.1	23.0	26.0	9.1	11.0	11.0	7.1	11.0	15.0	5.0	7.0	8.0	10.6	8.0	11.0	6.7	3.4		
	1240	1340	1440	1054	1020	535	611	585	661	230	280	280	180	280	380	127	177	203	270	203	280	171	87		
10	48.8	52.8	56.7	41.5	40.0	21.1	24.1	23.0	26.0	8.5	10.4	11.6	7.1	11.0	15.0	5.0	7.0	8.8	11.4	8.7	11.8	8.7	5.4		
	1240	1340	1440	1054	1020	535	611	585	661	215	265	295	180	280	380	127	177	224	290	220	300	222	138		
12	64.6	68.5	72.4	57.5	56.0	21.1	24.1	23.0	26.0	8.5	10.4	11.6	7.1	11.0	15.0	5.0	7.0	8.8	11.4	8.7	11.8	8.7	4.5		
	1640	1740	1840	1460	1420	535	611	585	661	215	265	295	180	280	380	127	177	224	290	220	300	222	113		
14	64.6	68.5	72.4	57.5	56.0	21.1	24.1	23.0	26.0	8.5	10.4	11.6	7.1	11.0	15.0	5.0	7.0	8.8	11.4	8.7	11.8	8.7	5.4		
	1640	1740	1840	1460	1420	535	611	585	661	215	265	295	180	280	380	127	177	224	290	220	300	222	138		
16	74.6	78.5	82.5	67.5	66.0	21.1	24.1	23.0	26.0	8.5	10.4	11.6	7.1	11.0	15.0	5.0	7.0	10.4	13.0	10.2	13.4	8.7	5.4		
	1895	1995	2095	1714	1675	535	611	585	661	215	265	295	180	280	380	127	177	264	330	260	340	222	138		
18	74.6	78.5	82.5	67.5	66.0	21.1	24.1	23.0	26.0	8.5	10.4	11.6	7.1	11.0	15.0	5.0	7.0	10.4	13.0	10.2	13.4	10.7	7.4		
	1895	1995	2095	1714	1675	535	611	585	661	215	265	295	180	280	380	127	177	264	330	260	340	273	189		
20	74.6	78.5	82.5	67.5	66.0	21.1	24.1	23.0	26.0	8.5	10.4	11.6	7.1	11.0	15.0	5.0	7.0	10.4	13.0	10.2	13.4	10.7	7.4		
	1895	1995	2095	1714	1675	535	611	585	661	215	265	295	180	280	380	127	177	264	330	260	340	273	189		

Note: Overall dimensions are same for DMP/DMP-EC & DCMP/DCMP-EC
There is change [ECM]only in fan/motor configuration.

Table 19

Dimensional Data DMF - DMF EC & DCME - DCME EC Models

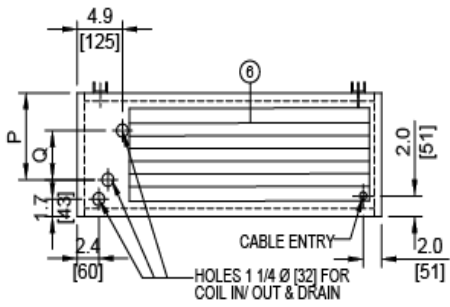
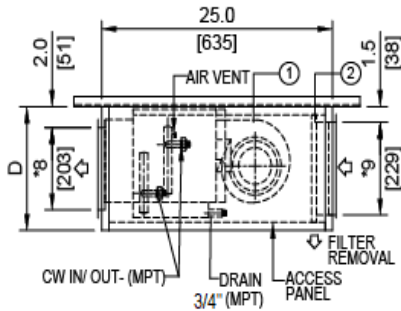
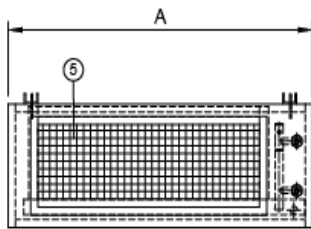
LEFT HAND UNIT -
(Along the direction of airflow)



- 1- SUPPLY FAN
- 2- FLAT FILTER
- 3- DRAIN PAN
- 4- COOLING COIL
- 5- SUPPLY AIR GRILL
- 6- RETURN AIR GRILL

DME/ DCME Models	FAN QTY	MOTOR QTY
02, 03, 04	1	1
05, 08, 10	2	1
06	2	2
12, 14	3	2
16, 18, 20	4	2

Coil In/ Out connection			
DME Models	CW In/ Out sizes	DCME Models	CW In/ Out sizes
02 to 04	1/2"	02 to 08	1/2"
05 to 08	3/4"	10 to 16	1"
10 to 16	1"	18 to 20	1 1/4"
18 to 20	1 1/4"		



* For unit models 18 & 20, consider 10" [254mm]

DME / DCME	A	B	C	D	E	F	G	P	Q
2	27.0	18.0	22.0	12.0	32.0	4.5	2.5	8.4	4.8
	686	457	559	305	813	114	64	214	121
3	29.0	20.0	24.0	12.0	22.0	4.5	2.6	8.4	4.8
	737	508	610	305	559	114	66	214	121
4	33.0	24.0	28.0	12.0	26.0	4.5	2.6	8.4	4.8
	838	610	711	305	660	114	66	214	121
5	27.0	18.0	22.0	12.0	32.0	4.5	2.5	8.4	4.8
	1067	762	937	305	808	196	66	214	121
6	48.0	36.0	41.8	12.0	38.0	7.5	2.5	8.4	4.8
	1219	914	1062	305	965	191	64	214	121
8	52.0	40.0	47.0	12.0	42.0	7.5	2.4	8.4	4.8
	1321	1016	1194	305	1067	191	61	214	121
10	52.0	40.0	47.0	13.2	42.0	7.5	2.4	9.6	6.8
	1321	1016	1194	335	1067	191	61	244	172
12	68.0	56.0	63.0	13.2	58.0	7.5	2.6	8.6	6.8
	1727	1422	1600	335	1473	191	66	218	172
14	68.0	56.0	63.0	13.2	58.0	7.5	2.6	9.6	6.8
	1727	1422	1600	335	1473	191	66	244	172
16	78.0	66.0	72.0	13.2	68.0	7.5	3.0	9.6	6.8
	1981	1676	1829	335	1727	191	76	244	172
18	78.0	66.0	72.0	14.5	68.0	7.5	3.0	11.0	8.8
	1981	1676	1829	369	1727	191	76	280	223
20	78.0	66.0	72.0	14.5	68.0	7.4	3.0	11.0	8.8
	1981	1676	1829	369	1727	188	76	280	223

Table 20

Note:
Overall dimensions are same for DME/DME-EC & DCME/DCME-EC
There is change [ECM} only in fan/motor configuration.
The dimensions of the 04R model are the same as the 04 model.

GUIDE SPECIFICATIONS

Fan Coil Units type and size shall be as indicated on the equipment schedule. Units shall be blow-through arrangement. Units configurations shall be horizontal, suitable for concealed or exposed applications. Units shall be able to handle external static pressure up to 0.3 in W.G.. Units shall be installed at site as per Installation, Operation & Maintenance Manual.

Basic Unit and Cabinet

Fan Coil Units shall include casing, fan/s, motor/s, coil, drain pan, inlet plenum and air filter. Units casing shall be in galvanized or painted Finish as indicated on the equipment schedule. Galvanized finish is standard for all models with exception of exposed units which are with painted finish as standard.

Galvanized casing shall be made of hot-dip galvanized steel sheets. Painted casing shall be made of hot-dip galvanized steel sheets, fabricated steel shall be thoroughly de-greased and then phosphatized before application of an average 60 micron baked electrostatic polyester dry powder coating in RAL 7032 color scheme. This finish can pass 1000-hour, 5% salt spray test at 95 oF (35oC) and 95% relative humidity (ASTM B 117). Units casing shall be made of stainless steel or aluminum if so specified. Units casing shall be thermally and acoustically insulated with 12mm closed cell poly foam insulation.

Units shall be supplied with removable panels for easy access to internal components. For easy installation, ceiling units shall be provided with mounting holes. Units shall be supplied with free return and 1" supply air duct collar.

Fan

Fan shall be double inlet, double width, direct driven with centrifugal type wheel. Fan wheel shall be with multi forward curved blades. Fan shall be statically & dynamically balanced. Fan housing and wheel shall be made of galvanized steel sheet.

Motor

Motor shall be single phase, 3-speed permanent split capacitor type, 220-240V/1 Ph/50/60 Hz, highly efficient with integral thermal protection (thermal cut-out embedded in the winding). Motor shall have high power factor. Motor shall be with permanent lubricated sleeve bearings.

High efficiency electronically commutated (EC) single phase 50/60Hz motors shall be fitted as standard on all DMP-DME/ DCMP-DCME EC units. Motor can be regulated by 0-10V dc signal supplied by a BMS.

Coil

Coil shall be constructed of seamless copper tubes, arranged in a staggered form mechanically bonded to high efficiency wavy corrugated aluminum fins. Copper fins or Pre-Coated Aluminum fins shall be provided if so specified.

Fins spacing shall be 12 fpi. for chilled water & Hot water coils shall be provided as indicated on the equipment schedule. All water coils shall be provided with manual air vent, automatic air vent shall be provided if so specified. Coil circuiting shall be counter flow. (Direction of coil water flow shall be counter to direction of unit air flow). Coil connections shall be MPT type. Optional FPT connections shall be provided if so specified. Coil shall be certified in accordance with AHRI - 410 (DMP/ DME) and tested by compressed air under water to the pressure of 300 psig.

Drain Pan

Drain pan shall be constructed from 1mm thick zinc coated steel sheets, shall be painted, irrespective of the type of finish for unit casing, and insulated from outside with 4mm thick polyethylene foam insulation. Drain pan shall be constructed from Stainless steel if so specified. Drain pan shall be extended to include coil, headers and U - bends. The bottom of drain pan shall be plain and drain connection shall be 3/4" MPT, GI pipe. Auxiliary drip lip shall be supplied loose for field installation if so specified.

Filter

Air filter shall be 1" thick (Nominal thickness) cleanable Aluminum media and in accordance with ASHRAE 52.2 standards. 1" thick washable or disposable Synthetic media shall be provided if so specified.

Electric Heater Battery

Electric heater capacity shall be as indicated on the equipment schedule. Electric heater element shall be constructed from 80/20 nickel chrome resistance wire, which is connected to terminal pins and centered in stainless steel grade 304L sheath metal tubes by compressed magnesium oxide. The terminal pins shall be insulated from metal tube by ceramic bushes. Helical fins mild steel galvanized shall be tightly wound around tubular heater elements. Stainless steel helical fins shall be provided if so specified. Electric heater batteries shall be provided with one safety cut-out (Auto Reset) and arranged for one stage operation at 220-240V /1 ph / 50Hz.

Valve Packages

Valve Packages shall be field installed by customer or factory installed, if so specified. As indicated on the equipment schedule, Valve Packages shall consist of various combinations of Ball or stop valves, globe or balancing valves, 2-way motorized valves and 3-way motorized valves.

Thermostats

Thermostat shall be wall mounted decorative type, with large LCD and backlight. Buttons shall be provided for power on/off, fan speed selection, cooling or heating mode selection, set point adjustment and sleep mode selection. Indoor temperature and set point shall be displayed simultaneously. Apart from that, display shall provide fan mode (high, medium, low or auto) and operating mode (cool or heat).

CONTACT US

HEAD OFFICE

P.O Box: 6004, Sharjah,
United Arab Emirates



Tel: +971 6 514 3333
Fax: +971 6 514 3300



Email: sales@skmaircon.com
Email: info@skmaircon.com



Spare Parts Division

spareparts.skm@skmaircon.com



Service Center

aftersales.skm@skmaircon.com



For SKM Regional Offices & Distributors
visit: www.skmaircon.com

